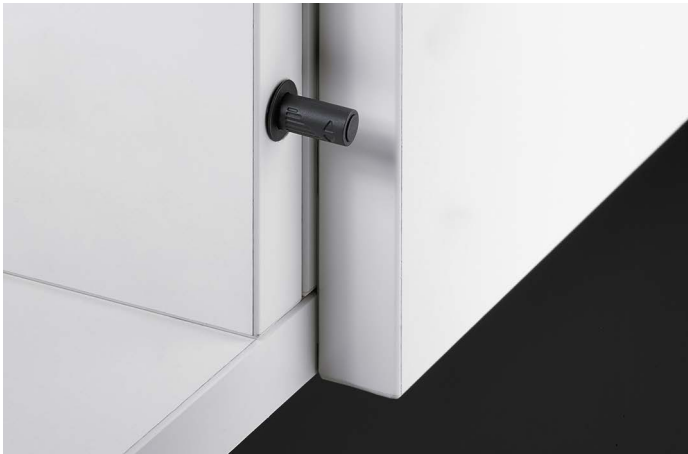


Push to open opening system for handleless furniture fronts

- ▶ Push to open Pin for drilling in
- ▶ For hinges with self closing feature



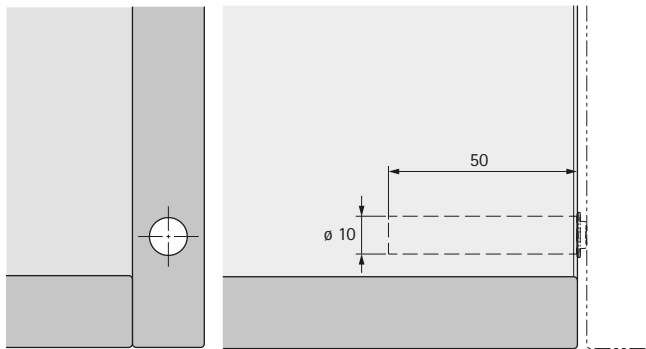
- ▶ For use with concealed hinges
- ▶ For full overlay doors
- ▶ Large adjustment range of 6 mm
- ▶ Opening movement 1.4 mm
- ▶ For using short stroke / long stroke options, see „Application areas / recommended applications“, see pages 208 - 209
- ▶ For installation, see installation notes, see pages 221 - 223
- ▶ Plastic

Push to open Pin



Article	Order no. / colour			PU
	anthracite	light grey	white	
Short stroke	9 089 627	9 089 602	9 089 588	1/25 ea.
Long stroke	9 089 628	9 089 603	9 089 589	1/25 ea.

Drilling pattern for short stroke, overlay door



Drilling pattern for long stroke, overlay door

