



Innovative opening system plus
proven runner technology.
Quadro with push to open

Technik für Möbel


Hettich

Perfect action, puristic design – Quadro with push to open



Purist design is right on trend – and the push to open function the answer to making handleless design an option on all fronts. With this innovative opening mechanism from Hettich, planning and producing handleless fronts for modern

furniture couldn't be easier. Push to open conveniently opens any drawer and pull-out at the mere press of a finger. Not only that – it also opens up new horizons in designing furniture frontages!



Runner quality made by Hettich



Wooden drawers fitted with runners from Hettich are guaranteed to give furniture a high-quality, exclusive feel, both inside and out. Because form and function are perfectly co-ordinated. With the wealth of different lengths that are available, individuality and versatility of design are boundless.



Hettich offers the right runner from a graduated system range for any design of furniture – needless to say, in the form of a full-extension runner providing unrestricted access and full view of contents or, alternatively, in the form of a partial-extension runner.

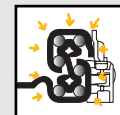
This is where push to open brings convenience in every respect: using the slide-on assembly method, installation is completed in a matter of seconds, with the fitted dimensions, of course, matching those of the standard Quadro range. That's top runner quality – guaranteed by Hettich.



Full-extension runner for wooden drawers and pull-out shelves

Quadro V6 push to open

Load capacity 30 kg



- **Push to open** – A nudge is all it takes to open the drawer
- **Slide-on assembly** – simply place the drawer on the slides and push home
- The integrated roll-out prevention stops accidental opening
- Perfect vertical and lateral stability. The robust, resilient tracks ensure optimal slide action through precision-guided steel balls.
- Maintenance-free through self-cleaning ball tracks
- Flexibility through interchangeability – swap between Quadro partial and full-extension slides without changing cabinet, drawer or front panel dimensions!

Nominal length / drawer length mm	Hole spacing b1 mm	Min. cabinet depth mm	Order no.	PU
250	142	263	9 111 235	10 sets
300	192	313	9 111 236	10 sets
320	192	333	9 111 237	10 sets
350	192	363	9 111 238	10 sets
380	224	393	9 111 239	10 sets
400	224	413	9 111 240	10 sets
450	256	463	9 111 241	10 sets
500	288	513	9 111 242	10 sets
520	288	533	9 111 243	10 sets
550	288	563	9 111 244	10 sets

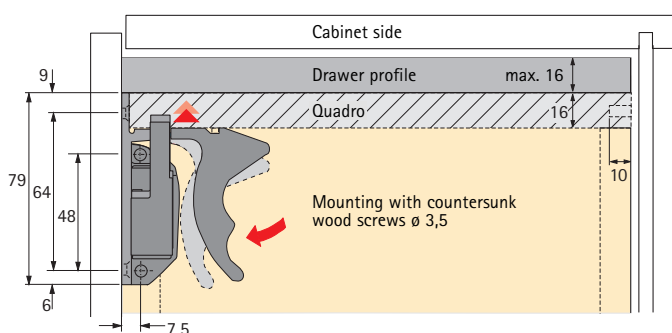


Catch

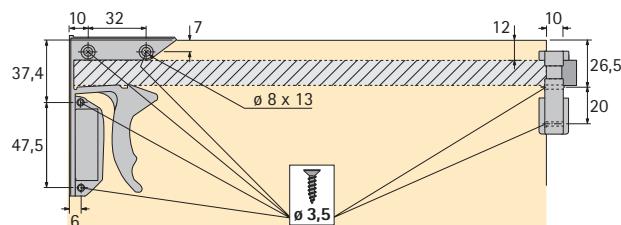
- For securely connecting Quadro runner and wooden drawer / pull-out shelf (slide-on assembly) without the need for tools
- Black plastic
- ① For wooden drawers with an infinitely variable height adjustment range of up to + 2 mm by means of thumb wheel (no tools required)
- ② For pull-out shelves (16 - 19 mm) or wooden drawers with flush bottom, including 2 rear mountings the use of which shortens pull-out shelf / drawer-length by 12 mm

Article	Order no.	PU
① Catch for wooden drawers, left	0 075 806	100
① Catch for wooden drawers, right	0 075 807	100
① Catch for wooden drawers, set left / right	9 058 303	1 / 5 sets
② Catch for pull-out shelves / wooden drawers with flush bottom, set left / right	0 075 808	1 / 5 sets

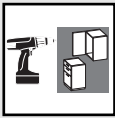
① Mounting catch for wooden drawers



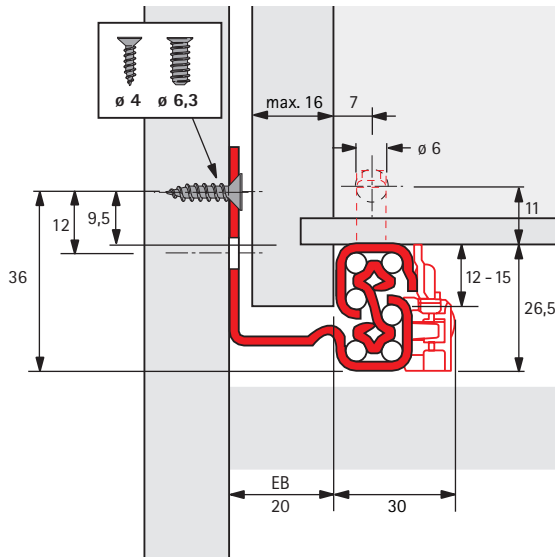
② Mounting catch for pull-out shelves / wooden drawers with flush bottom



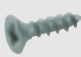


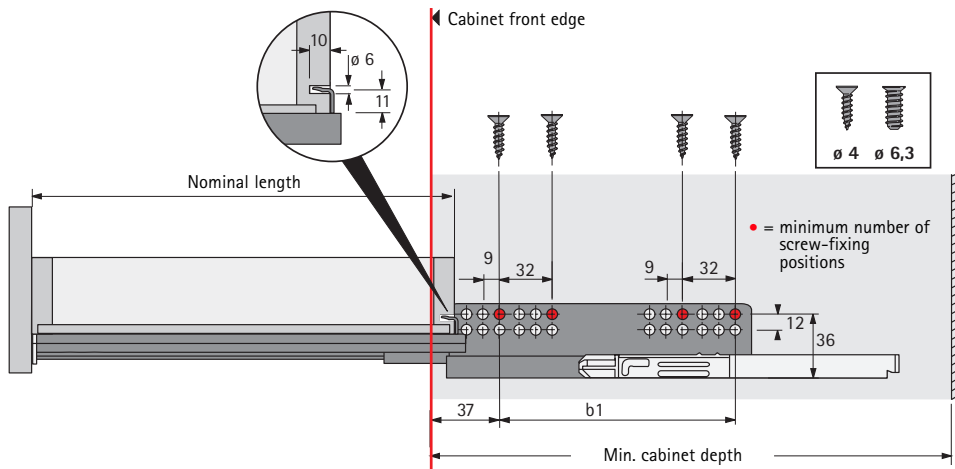
Pull-out shelf / drawer length = nominal length - 12 mm
 Pull-out shelf / drawer width = inside cabinet width - 16 mm



Full-extension runner for wooden drawers and pull-out shelves Quadro V6 push to open Load capacity 30 kg

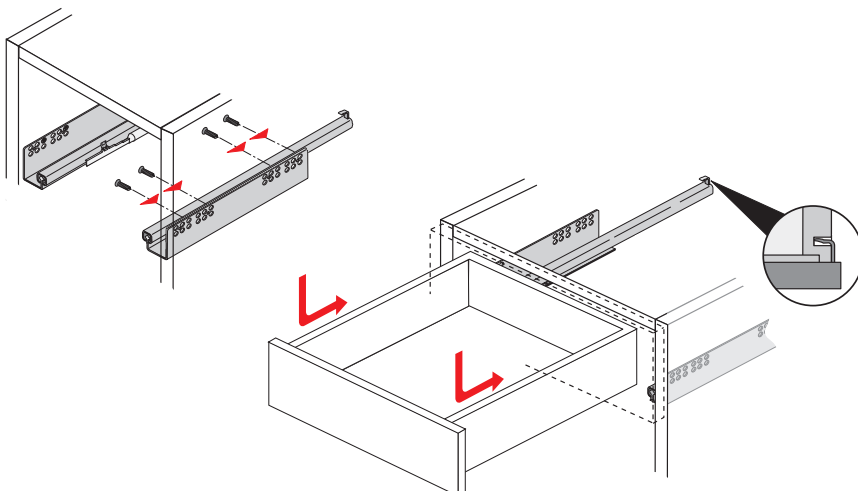


	Dimensions mm	Order no.	PU
	6,3 x 10,5	0 051 264	200
	6,3 x 14	0 051 265	200
	4,0 x 16	0 010 085	200

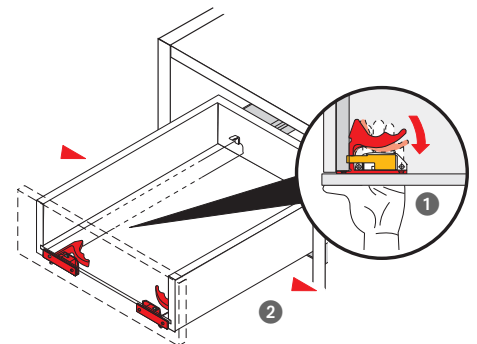


The dimensions stated produce a minimum gap of 4 mm between front panels.

Assembly



Disassembly

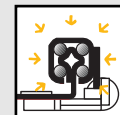


The number of fixing screws depends on total weight, the type of screw and the quality of cabinet material.

Part-extension for wooden drawers and pull-out shelves

Quadro 30 push to open

Load capacity 30 kg



- **Push to open** – A nudge is all it takes to open the drawer
- **Slide-on assembly** – simply place the drawer on the slides and push home
- The integrated roll-out prevention stops accidental opening
- Perfect vertical and lateral stability. The robust, resilient tracks ensure optimal slide action through precision-guided steel balls.
- Maintenance-free through self-cleaning ball tracks
- Flexibility through interchangeability – swap between Quadro partial and full-extension slides without changing cabinet, drawer or front panel dimensions!

Nominal length / drawer length mm	b1 mm	Hole spacing mm	Min. cabinet depth EL mm	Extension loss	Order no.	PU
250		160	263	50	9 111 245	12 sets
300		160	313	50	9 111 246	12 sets
320		192	333	62	9 111 247	12 sets
350		192	363	62	9 111 248	12 sets
380		224	393	62	9 111 249	12 sets
400		224	413	74	9 111 250	12 sets
450		256	463	86	9 111 251	12 sets
500		288	513	98	9 111 252	12 sets
520		288	533	98	9 111 253	12 sets
550		320	563	98	9 111 254	12 sets

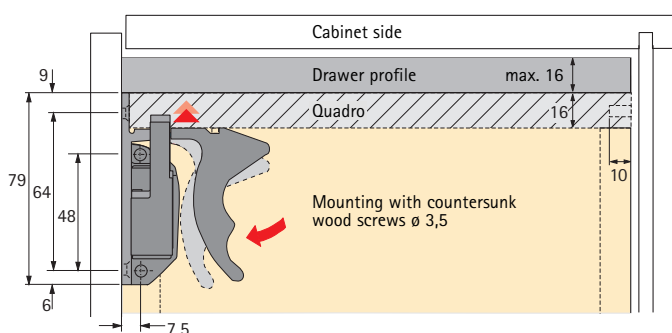


Catch

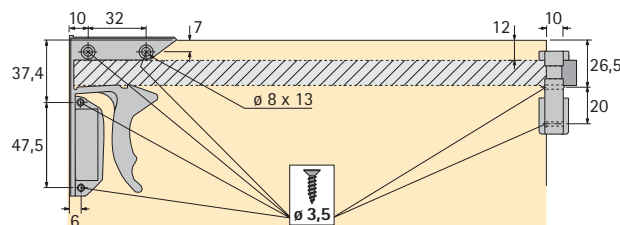
- For securely connecting Quadro runner and wooden drawer / pull-out shelf (slide-on assembly) without the need for tools
- Black plastic
- ① For wooden drawers with an infinitely variable height adjustment range of up to + 2 mm by means of thumb wheel (no tools required)
- ② For pull-out shelves (16 - 19 mm) or wooden drawers with flush bottom, including 2 rear mountings the use of which shortens pull-out shelf / drawer-length by 12 mm

Article	Order no.	PU
① Catch for wooden drawers, left	0 075 806	100
① Catch for wooden drawers, right	0 075 807	100
① Catch for wooden drawers, set left/right	9 058 303	1 / 5 sets
② Catch for pull-out shelves / wooden drawers with flush bottom, set left / right	0 075 808	1 / 5 sets

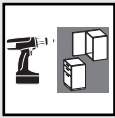
① Mounting catch for wooden drawers



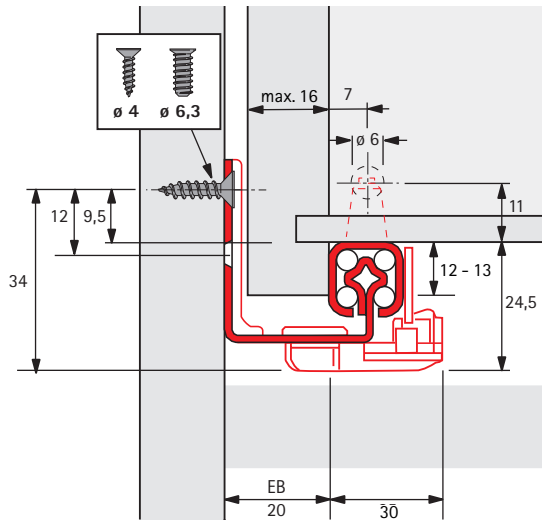
② Mounting catch for pull-out shelves / wooden drawers with flush bottom






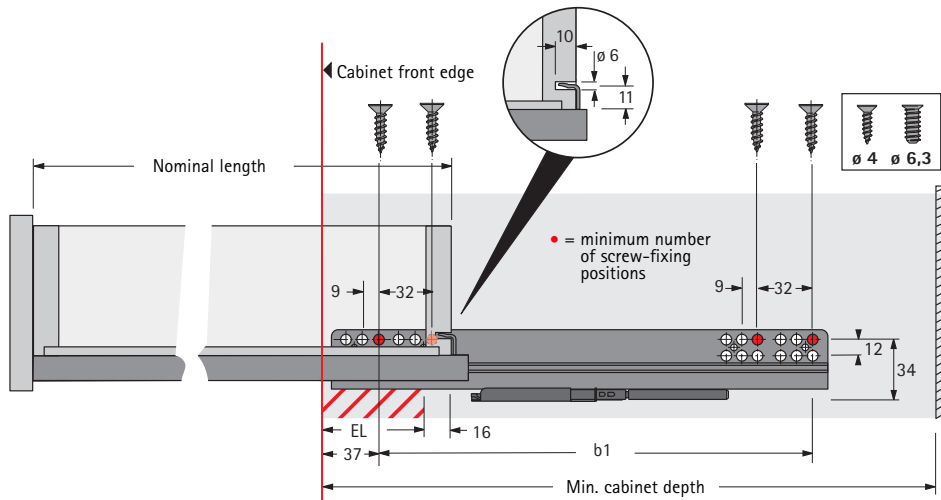
Pull-out shelf / drawer length = nominal length - 12 mm
 Pull-out shelf / drawer width = inside cabinet width - 16 mm



Part-extension for wooden drawers and pull-out shelves Quadro 30 push to open Load capacity 30 kg

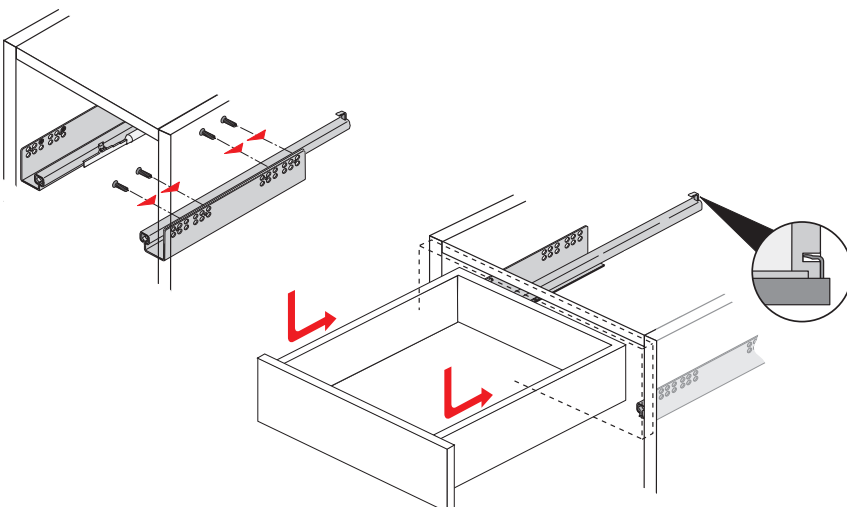


	Dimensions mm	Order no.	PU
	6,3 x 10,5	0051 264	200
	6,3 x 14	0051 265	200
	4,0 x 16	0010 085	200

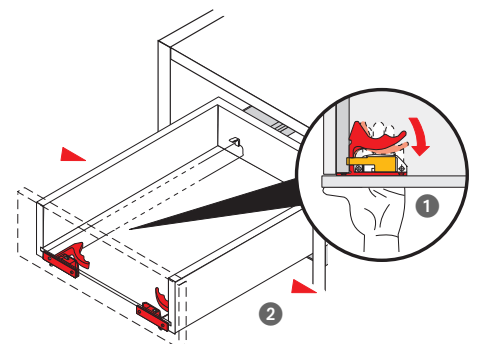


The dimensions stated produce a minimum gap of 4 mm between front panels.

Assembly



Disassembly



The number of fixing screws depends on total weight, the type of screw and the quality of cabinet material.

www.hettich.com

Order no. 9 111 176 - EN/10
© Hettich Furniture GmbH & Co. KG - Subject to change without notice
Errors and omissions excepted

Technik für Möbel

