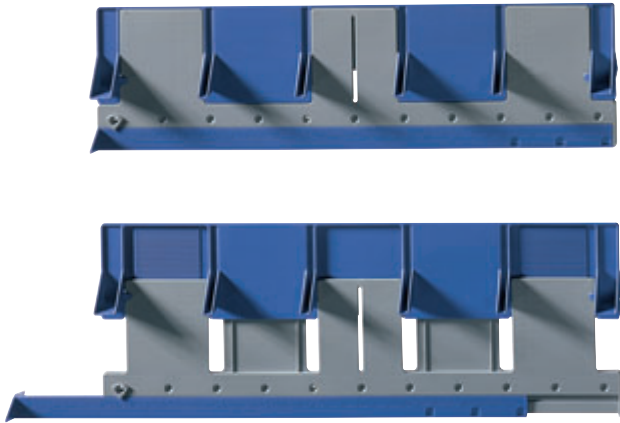


Hole marking gauges



Article	Order no.	PU
Hole marking gauge for handles	048 771	1

Hole marking gauge for handles

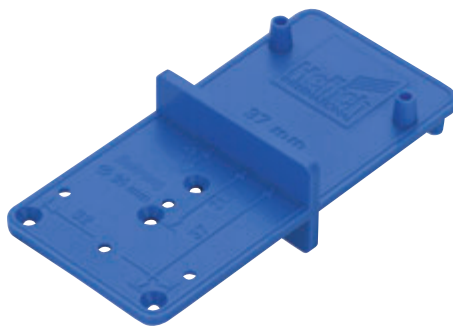
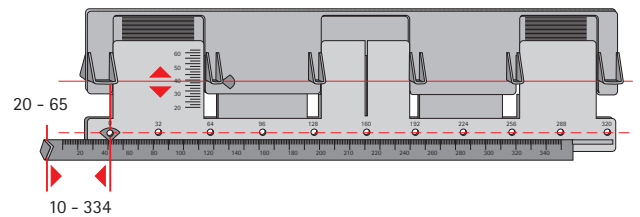
Two-dimensional hole marking gauge for hole marking of:

- System 32 hole lines for
 - Handles
 - Knobs

for hole line with 32 mm spacing up to 320 mm

Range of adjustment:

side distance 10 - 334 mm to the first hole punch,
height distance 20 - 65 mm



Article	Order no.	PU
Multi Blue hole marking gauge	000 351	1

Multi Blue hole marking gauge

Small and easy to use, yet multifunctional, the simple **Multi Blue** hole marking gauge is the perfect aid to on-site assembly whenever a fitting has to be professionally mounted without the help of large machinery.

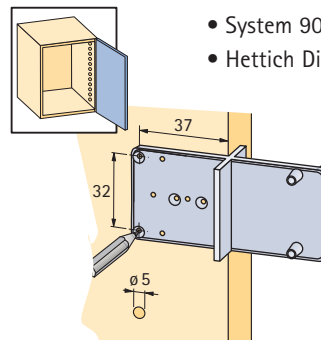
Can be used for marking out:

Different mounting plate versions

- System 9000 – Intermat- and Ecomat-hinges
- Hettich Direkt Top

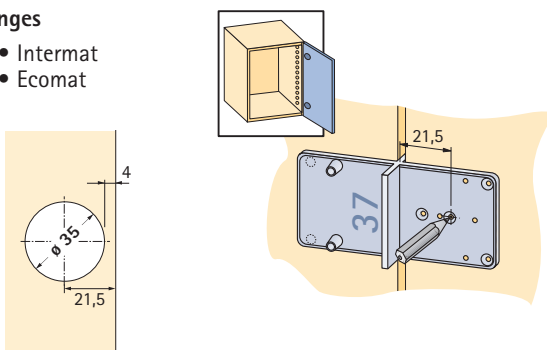
Fittings assembled in System 32

- Screw-in dowel
- End and double dowel for Rastex
- Shelf support



Hinges

- Intermat
- Ecomat



Connecting fittings

- VB 35 M
- VB 135

