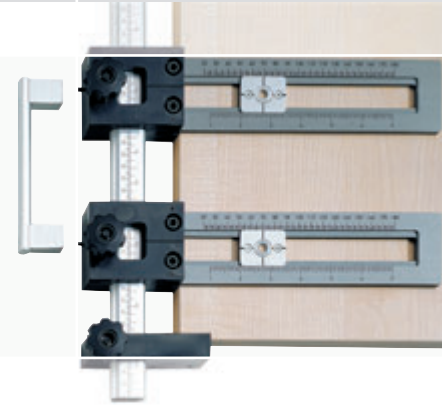


Assembly machinery



Blue Max mini Type 3

Blue Max mini Type 3

Basic configuration

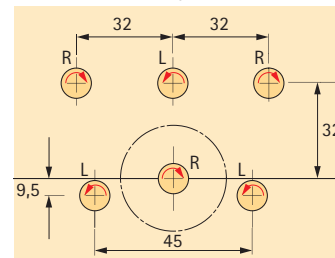
- 6-spindle boring head
- Pneumatic stroke movement
- Hold down clamp
- Machine base, work top
- Fence
- 2 pendulum stops
- Fixed stops
- 220V / 60 Hz / 1-phase or 3-phase
- Motor power rating 1.6 kW (2.15 HP) or 1.3 kW (1.75 HP)
- Other voltages and configurations available on request.

Suitable for installing

- hinges
- connecting fittings
- knock-in mounting plates
- MultiTech front connector (see accessories)



TB 43
Standard drilling pattern hinges



When ordering a machine just for VB connecting fittings, please specify this on your order and we will provide the change at no extra charge.

Article	Order no.	PU
Blue Max mini Type 3, 1-phase, TB 43	047 956	1
Blue Max mini Type 3, 3-phase, TB 43	052 022	1

Accessories for Blue Max mini Type 3	Order no.	PU
• Fence extension with scale, 1500 mm long, for right-hand/left-hand use	061 266	1
• Pendulum stop for fence, right-hand/left-hand	082 280	1
• Universal die for Intermat, Ecomat, Slide-on and Selektta 4 hinges	1 131 001	1
• Die for Selektta Pro 2000, hole pattern TB 23	010 080	1
• Die for knock-in mounting plate system 9000	046 796	1
• Die for VB 36	052 997	1
Other dies on request		

Accessories for Blue Max mini Type 3		Order no.	PU	
• Red drill chuck cap		076 497	1	
• Drill bits				
Diameter	Length	right-hand	left-hand	PU
40 mm	57 mm	069 250		1
35 mm	57 mm	053 955		1
20 mm	57 mm		053 953	1
15 mm	57 mm	053 943	061 651	1
10 mm	57 mm	053 952	053 951	1
8 mm	57 mm	053 817	053 818	1
5 mm	57 mm	053 950	053 949	1