



Cube PLUS
Shelving system
Create infinite design possibilities

Master Catalogue




Hettich



Hettich Forum at Kirchlengern, Germany



Hettich Manufacturing Plant at Vadodara, India



Hettich Manufacturing Plant at Indore, India

The company's origins date back to 1888, when Karl Hettich began making the new clock component he had invented. By 1930, his descendants had diversified into furniture fittings, setting up production in East Westphalia – a centre of the German furniture industry. Today, Hettich, still family owned, has become an industry leader with a worldwide reputation.

We're one of the world's largest manufacturers of high-quality furniture fittings, with over 6,700 employees in more than 100 countries. The company's success has been built on four enduring values: quality, innovation, close cooperation with customers and absolute reliability.

We work to inspire our customers with our ideas and our passion.

Cube PLUS Ready To Assemble Shelving System

Module 1: W300 x D300 x H300 mm (With Wooden Shelf or Glass Shelf)	5
Module 2: W600 x D300 x H300 mm (With Wooden Shelf or Glass Shelf)	6
Module 3: W750 x D300 x H300 mm (With Wooden Shelf or Glass Shelf)	7
Module 4: W300 x D300 x H600 mm (With Wooden Shelf or Glass Shelf)	8
Module 5: W600 x D300 x H580 mm (With Wooden Shelf or Glass Shelf)	9
Module 5: W600 x D300 x H580 mm (With Wooden & Glass Shelf)	10
Module 6: W300 x D300 x H580 mm (With Wooden Shelf or Glass Shelf)	11
Module 6: W300 x D300 x H580 mm (With Wooden & Glass Shelf)	12
Wooden & Glass Shelf (Optional)	13
Components	14
Installation Instruction	15-16



Kitchen



Concierge



Office

The art of Cube PLUS

Hettich Cube PLUS is an advanced shelving system that enables one to create infinite design possibilities for different spaces. It is versatile, contemporary and easy to install. When installed on a wall, it does not look any less than a modern piece of art. Hettich Cube Plus is here to make your day brighter.



Drawing Room



Living Room



Bath Room

Cube PLUS Ready To Assemble Shelving System

► Concept & Features

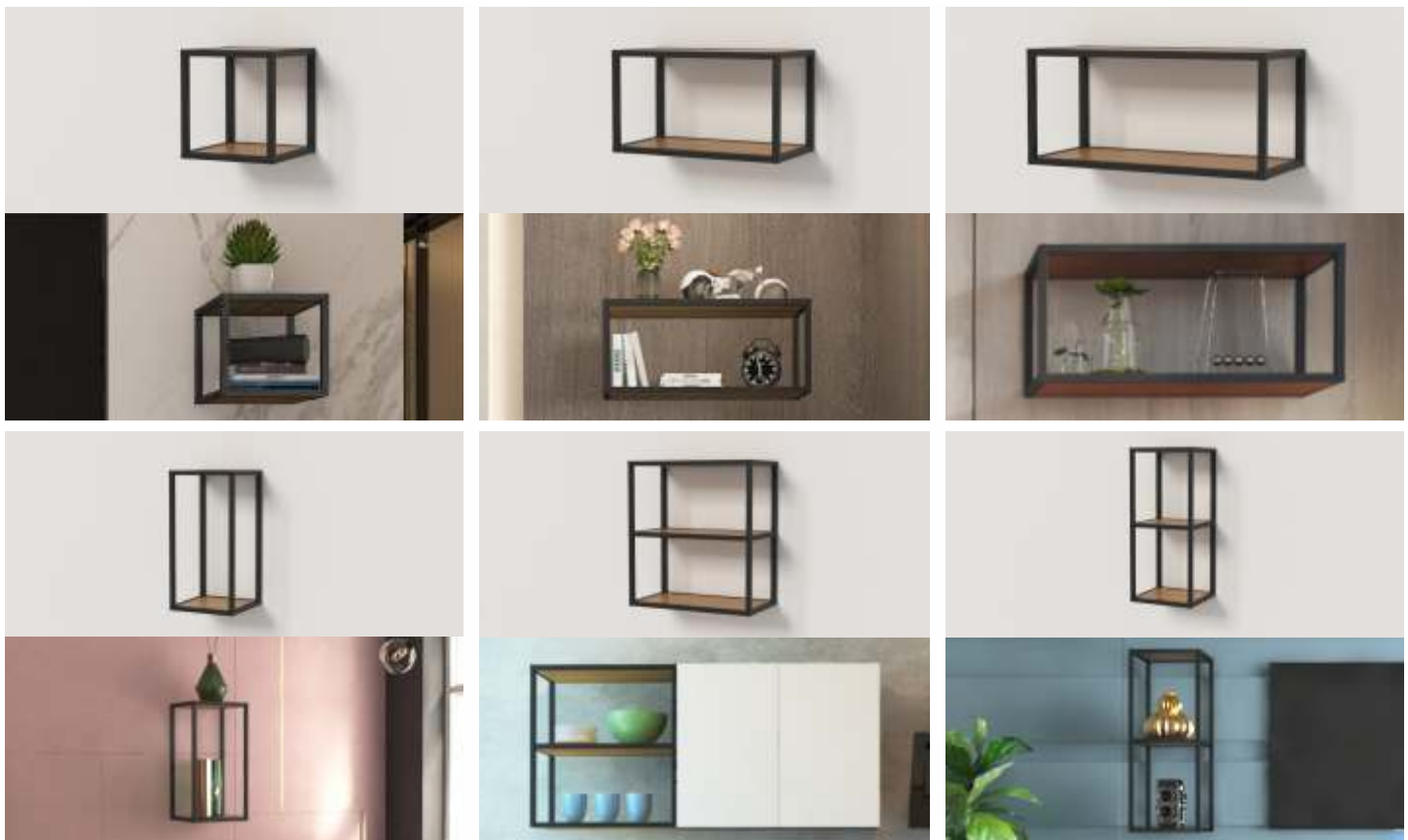


An innovative shelving solution which is flexible, modern and ready to assemble. The result is simple but unbeatable in its function. The heart of the system consists of connectors and profiles that makes up the modules which can be used according to your own creative ideas.



Ready to assemble

Whether long or short, wide or narrow, open or closed, on the wall or on the floor, almost every piece of furniture will be feasible & Ready to Assemble !



Unique features

- Innovative shelving solution with easy installation through allen wrench.
- Sturdy structure augments storage possibilities either as floating shelf or free standing shelf.
- Rust free shelving system.
- Ideal for light weight storage solution.

Applications - Finds utility in every living space

- Living Room - Showcase for collectibles, crafts, study tables
- Kitchen - Store & organize dishes, spice bottles, plates
- Bedroom - Book shelf, night lamp stand, combination shelf with dressing table to store cosmetics
- Restroom - Organize & store bathing accessories, detergents, toilet accessories

Cube PLUS Ready To Assemble Shelving System

► Module 1 Details



Module 1: W300 x D300 x H300 mm (With Wooden Shelf)



Wooden Shelf not included. Required size (258 mm x 258 mm x 18 mm) - 2 Pc

BOM-Code : 9321395
MRP: 4,232

Module 1: W300 x D300 x H300 mm (With Glass Shelf)



Glass not included. Required size (258 mm x 258 mm x 6 mm) - 2 Pc

BOM-Code : 9321421
MRP: 4,248

Set Contains	Qty.	Unit
Basic Profile (259 mm length)- Black Finish	8	Pc
Wood Profile for 18 mm panels (259 mm length) or Glass Shelf Profile for 6 mm panels (259 mm length)- Black Finish	4	Pc
Triple 3D Connector 3 Way- Black Finish	8	Pc
Fixing Screw M4x16 mm Steel- Black Finish	24	Pc
Cover Cap for M4 Screw- Black Finish	24	Pc
Set of wall mounting, pan head screw and wall plug	1	Set
Allen key	1	Pc
Support (Buffer) for glass shelf 6 mm dia stick on (Only with Glass Shelf Module)	8	Pc



Cube PLUS Ready To Assemble Shelving System

►► Module 2 Details



Module 2: W600 x D300 x H300 mm (With Wooden Shelf)



Wooden Shelf not included. Required size (558 mm x 258 mm x 18 mm) - 2 Pc

BOM-Code : 9321396
MRP: 4,978

Module 2: W600 x D300 x H300 mm (With Glass Shelf)



Glass not included. Required size (558 mm x 258 mm x 6 mm)- 2 Pc

BOM-Code : 9321422
MRP: 4,994

Set Contains	Qty.	Unit
Basic Profile (259 mm length)- Black Finish	8	Pc
Wood Profile for 18 mm panels (559 mm length) or Glass Shelf Profile for 6 mm panels (559 mm length)- Black Finish	4	Pc
Triple 3D Connector 3 Way- Black Finish	8	Pc
Fixing Screw M4x16 mm Steel- Black Finish	24	Pc
Cover Cap for M4 Screw- Black Finish	24	Pc
Set of wall mounting, pan head screw and wall plug	1	Set
Allen key	1	Pc
Support (Buffer) for glass shelf 6 mm dia stick on (Only with Glass Shelf Module)	8	Pc



Cube PLUS Ready To Assemble Shelving System

► Module 3 Details



Module 3: W750 x D300 x H300 mm (With Wooden Shelf)



Wooden Shelf not included. Required size (708 mm x 258 mm x 18 mm) - 2 Pc

BOM-Code : 9321397
MRP: 5,350

Module 3: W750 x D300 x H300 mm (With Glass Shelf)



Glass not included. Required size (708 mm x 258 mm x 6 mm) - 2 Pc

BOM-Code : 9321423
MRP: 5,366

Set Contains	Qty.	Unit
Basic Profile (259 mm length)- Black Finish	8	Pc
Wood Profile for 18 mm panels (709 mm length) or Glass Shelf Profile for 6 mm panels (709 mm length)- Black Finish	4	Pc
Triple 3D Connector 3 Way- Black Finish	8	Pc
Fixing Screw M4x16 mm Steel- Black Finish	24	Pc
Cover Cap for M4 Screw- Black Finish	24	Pc
Set of wall mounting, pan head screw and wall plug	1	Set
Allen key	1	Pc
Support (Buffer) for glass shelf 6 mm dia stick on (Only with Glass Shelf Module)	8	Pc

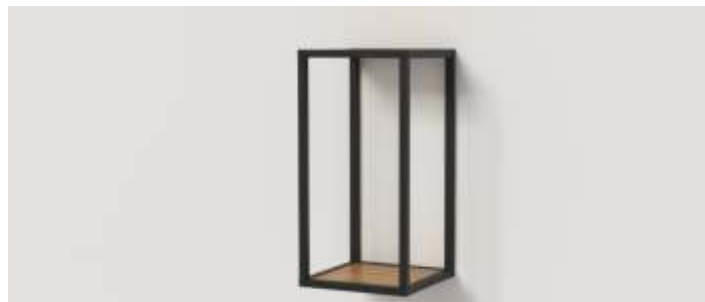


Cube PLUS Ready To Assemble Shelving System

► Module 4 Details



Module 4: W300 x D300 x H600 mm (With Wooden Shelf)



Wooden Shelf not included. Required size (258 mm x 258 mm x 18 mm) - 2 Pc

BOM-Code : 9321398
MRP: 4,978

Module 4: W300 x D300 x H600 mm (With Glass Shelf)



Glass not included. Required size (258 mm x 258 mm x 6 mm) - 2 Pc

BOM-Code : 9321424
MRP: 4,994

Set Contains	Qty.	Unit
Basic Profile (259 mm length)- Black Finish	4	Pc
Basic Profile (559 mm length)- Black Finish	4	Pc
Wood Profile for 18 mm panels (259 mm length) or Glass Shelf Profile for 6 mm panels (259 mm length)- Black Finish	4	Pc
Triple 3D Connector 3 Way- Black Finish	8	Pc
Fixing Screw M4x16 mm Steel- Black Finish	24	Pc
Cover Cap for M4 Screw- Black Finish	24	Pc
Set of wall mounting, pan head screw and wall plug	1	Set
Allen key	1	Pc
Support (Buffer) for glass shelf 6 mm dia stick on (Only with Glass Shelf Module)	8	Pc



Cube PLUS Ready To Assemble Shelving System

► Module 5 Details



Module 5: W600 x D300 x H580 mm (With Wooden Shelf)



Wooden Shelf not included. Required size (558 mm x 258 mm x 18 mm) - 3 Pc

BOM-Code : 9321399
MRP: 7,862

Module 5: W600 x D300 x H580 mm (With Glass Shelf)



Glass not included. Required size (558 mm x 258 mm x 6 mm) - 3 Pc

BOM-Code : 9321425
MRP: 7,886

Set Contains	Qty.	Unit
Basic Profile (259 mm length)- Black Finish	14	Pc
Wood Profile for 18 mm panels (559 mm length) or Glass Shelf Profile for 6 mm panels (559 mm length)- Black Finish	6	Pc
Triple 3D Connector 3 Way- Black Finish	8	Pc
Quadruple Connector 4 Way- Black Finish	4	Pc
Fixing Screw M4x16mm Steel- Black Finish	40	Pc
Cover Cap for M4 Screw- Black Finish	40	Pc
Set of wall mounting, pan head screw and wall plug	2	Set
Allen Key	1	Pc
Support (Buffer) for glass shelf 6 mm dia stick on (Only with Glass Shelf Module)	12	Pc



Cube PLUS Ready To Assemble Shelving System

► Module 5 Details



Module 5: W600 x D300 x H580 mm (With Wooden & Glass Shelf)



BOM-Code : 9321427
MRP: 7,870

Wooden Shelf not included. Required size (558 mm x 258 mm x 18 mm) - 2 Pc

Glass not included. Required size (558 mm x 258 mm x 6 mm) - 1 Pc

Set Contains	Qty.	Unit
Basic Profile (259 mm length)- Black Finish	14	Pc
Wood Profile for 18 mm panels (559 mm length)- Black Finish	4	Pc
Glass/Wood Shelf Profile for 6/10 mm panels (559 mm length)- Black Finish	2	Pc
Triple 3D Connector 3 Way- Black Finish	8	Pc
Quadruple Connector 4 Way- Black Finish	4	Pc
Fixing Screw M4x16mm Steel- Black Finish	40	Pc
Cover Cap for M4 Screw- Black Finish	40	Pc
Set of wall mounting, pan head screw and wall plug	2	Set
Allen Key	1	Pc
Support (Buffer) for glass shelf 6 mm dia stick on	4	Pc

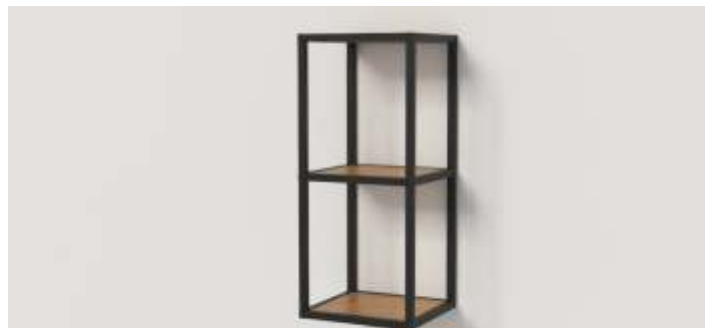


Cube PLUS Ready To Assemble Shelving System

► Module 6 Details



Module 6: W300 x D300 x H580 mm (With Wooden Shelf)



Wooden Shelf not included. Required size (258 mm x 258 mm x 18 mm) - 3 Pc

BOM-Code : 9321400
MRP: 6,743

Module 6: W300 x D300 x H580 mm (With Glass Shelf)



Glass not included. Required size (258 mm x 258 mm x 6 mm) - 3 Pc

BOM-Code : 9321426
MRP: 6,767

Set Contains	Qty.	Unit
Basic Profile (259 mm length)- Black Finish	14	Pc
Wood Profile for 18 mm panels (259 mm length) or Glass Shelf Profile for 6 mm panels (259 mm length)- Black Finish	6	Pc
Triple 3D Connector 3 Way- Black Finish	8	Pc
Quadruple Connector 4 Way- Black Finish	4	Pc
Fixing Screw M4x16mm Steel- Black Finish	40	Pc
Cover Cap for M4 Screw- Black Finish	40	Pc
Set of wall mounting, pan head screw and wall plug	2	Set
Allen Key	1	Pc
Support (Buffer) for glass shelf 6 mm dia stick on (Only with Glass Shelf Module)	12	Pc



Cube PLUS Ready To Assemble Shelving System

► Module 6 Details



Module 6: W300 x D300 x H580 mm (With Wooden & Glass Shelf)



BOM-Code : 9321428
MRP: 6,751

Wooden Shelf not included. Required size (258 mm x 258 mm x 18 mm) - 2 Pc

Glass not included. Required size (258 mm x 258 mm x 6 mm) - 1 Pc

Set Contains	Qty.	Unit
Basic Profile (259 mm length)- Black Finish	14	Pc
Wood Profile for 18 mm panels (259 mm length)- Black Finish	4	Pc
Glass/Wood Shelf Profile for 6/10 mm panels (259 mm length)- Black Finish	2	Pc
Triple 3D Connector 3 Way- Black Finish	8	Pc
Quadruple Connector 4 Way- Black Finish	4	Pc
Fixing Screw M4x16mm Steel- Black Finish	40	Pc
Cover Cap for M4 Screw- Black Finish	40	Pc
Set of wall mounting, pan head screw and wall plug	2	Set
Allen Key	1	Pc
Support (Buffer) for glass shelf 6 mm dia stick on	4	Pc



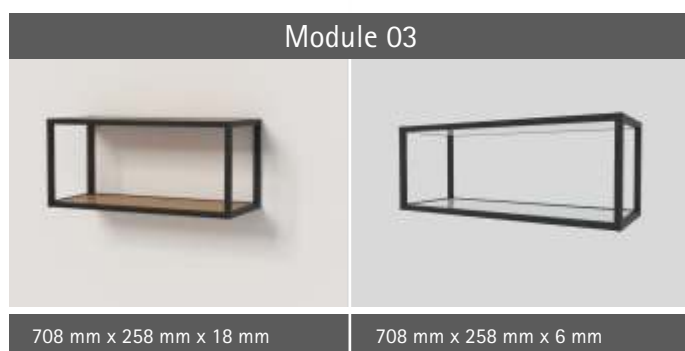
Cube PLUS Ready To Assemble Shelving System

► Wooden & Glass Shelf (Optional)



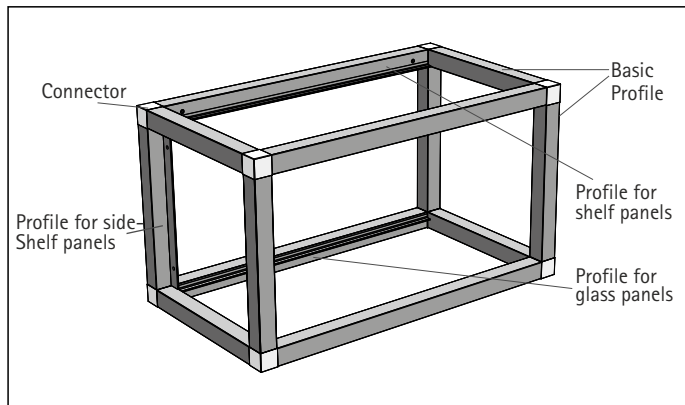
S.no.	Description	Article No.	Unit	MRP
1	Wooden shelf (size) – 258 mm x 258 mm x 18 mm	9 323 999	Pc	585
2	Wooden shelf (size) – 558 mm x 258 mm x 18 mm	9 324 000	Pc	1,085
3	Wooden shelf (size) – 708 mm x 258 mm x 18 mm	9 324 091	Pc	1,345
4	Glass shelf (size) – 258 mm x 258 mm x 6 mm	9 325 657	Pc	360
5	Glass shelf (size) – 558 mm x 258 mm x 6 mm	9 325 658	Pc	735
6	Glass shelf (size) – 708 mm x 258 mm x 6 mm	9 325 659	Pc	925

Note: Order as per required quantity.



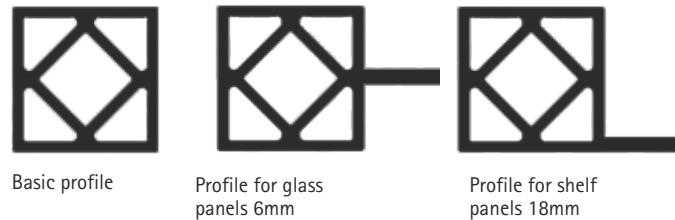
Note: Above are substrate dimension.

The Structure of the Components



The system is a set of connectors and profiles, which is extremely versatile. Make a table, a trolley, a bookshelf or display unit out of it; the possibilities are infinite, if only you can think of them.

The Profiles



Wooden Shelf



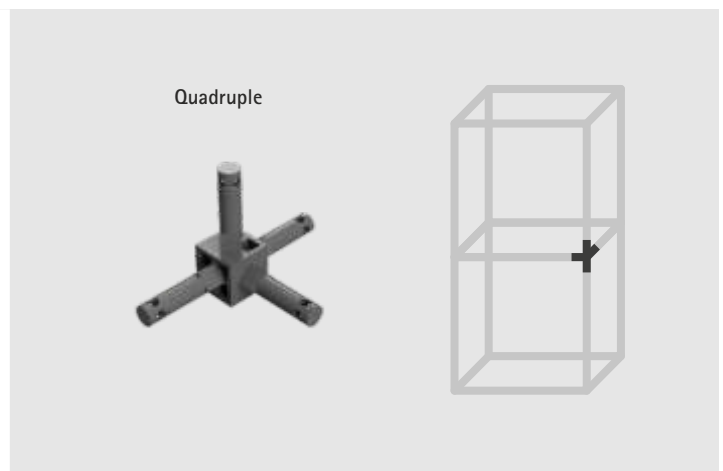
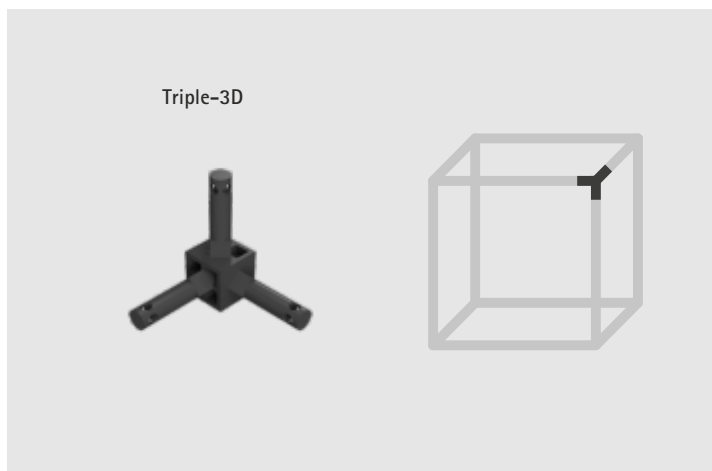
Shelf profile for 18mm wood

Glass Shelf

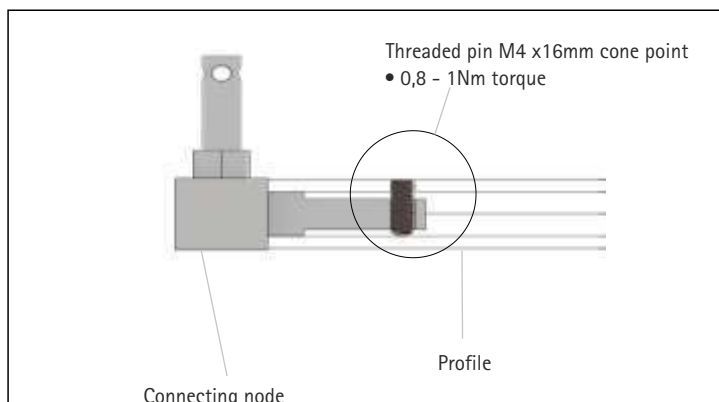


Shelf profile for 6mm glass

The Connection



The Safe Connection



The profiles are connected by using threaded pins which are screwed into the connectors to ensure stability, strength and safety. The pins are optionally supplied with a thread securing glue and fastened with a 0,8 - 1 nm torque. The connection guarantees excellent stability and safety owing to the preset distance of the thread.



Threaded pins matching the profile's surface are available in silver & black

Installation instruction

- 1 Make top & bottom part of the cube by connecting cube profiles with connectors required as per design



- 2
- Insert screw at all position in diagonally opposite pattern
 - Screw should be kept loose at this step
 - Flatness should be maintained, it should not wobble

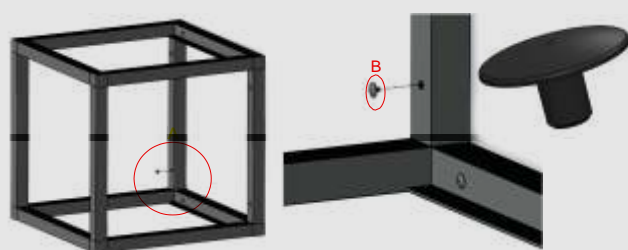
- 3 ► Insert vertical profile between Top and Bottom part



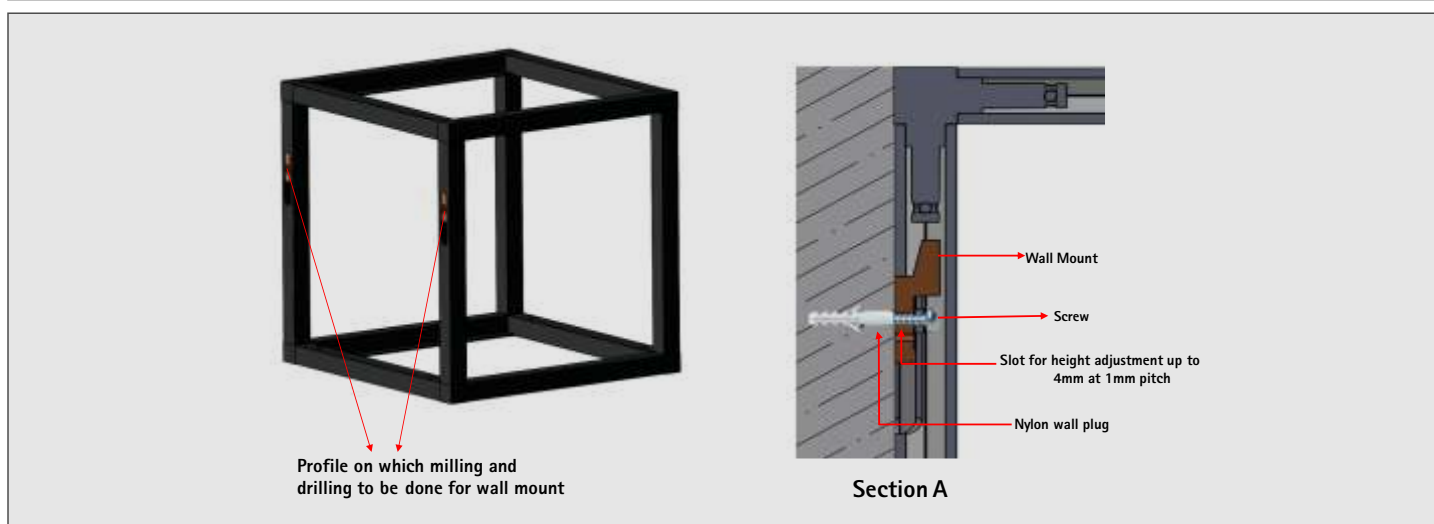
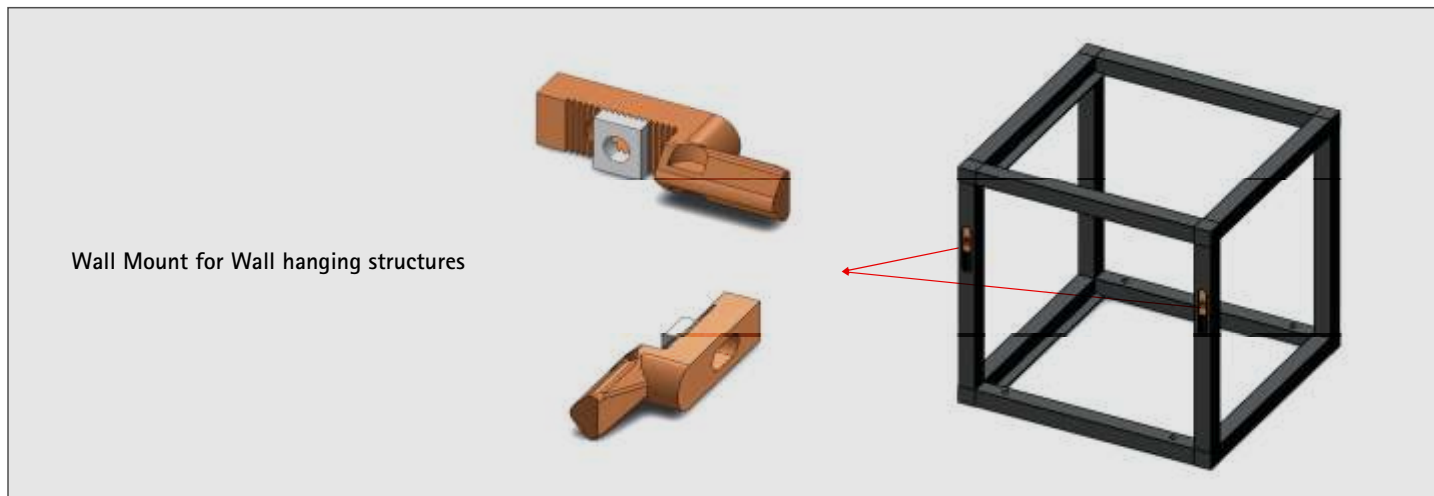
- 4
- Insert screw at all position & tight all the screw present in cube in diagonally opposite pattern
 - Screw should not be over tightened
 - Flatness should be maintained, it should not wobble
 - Screw should be kept little loose to maintain flatness & should be fitted in diagonally opposite pattern



- 5 Insert screw cover cap over all the screw



Wall mounted structure



Registered & Head Office:
Hettich India Private Limited
302, Duro-lite House,
Opp. SAB TV, New Link Road,
Andheri (West), Mumbai - 400 053
Phone: +91 22 2674 3289/3356/4089
Fax: +91 22 2674 3267

Delhi Office:
Hettich India Private Limited
A-26/4, 1st floor,
Mohan Co-operative Industrial Estate,
New Delhi - 110 044
Phone: +91 11 4889 4000, 4889 4005
Fax: +91 11 4889 4044

Production Site – Vadodara:
Hettich India Private Limited
Plot No. 304, Dhanora,
Nandesari Road,
Near ECPL,
Village – Dhanora – 391 346
Dist. – Vadodara, Gujarat

Production Site – Indore:
Hettich India Private Limited
Plot No 1, Sector 5,
Mhow – Neemuch Road,
Opp Lupin Ltd, Pithampur Industrial,
Pithampur – 454 774
Madhya Pradesh

Application Centres:

New Delhi:
61, Punchkuian Road,
Near RK Ashram Metro,
Opposite Pillar No 4,
New Delhi – 110001,
Ph. No. : +91 11 4750 8320

Mumbai:
202/302, Duro-lite House, Opp. SAB TV,
New Link Road, Andheri (West),
Mumbai – 400 053
Ph.No. : +91 22 2639 9707

Kolkata:
2nd Floor, Unit Number 2A,
Tirumala 22, East Topsia Road,
At Topsia Tangra Crossing
Kolkata – 700 046
Ph. No. : +91 98310 12054

Chennai:
"Heavitree", Ground Floor,
47, Spur Tank Road,
Chetpet, Chennai – 600 031
Ph. No. : +91 44 4263 7227

Bangalore:
Adventz Center, Ground Floor 28,
Cubbon Road, Shivaji Nagar,
Bangalore – 560 001
Ph. No. : +91 91 3601 6413,

Kochi:
41/2062D, 2nd Floor
Palarivattom signal
junction, NH 47 By-pass,
Kochi – 682 028
Ph. No. : +91 48 4402 8242

Hyderabad:
" Sai Krishna "
797 – A, 2nd Floor,
Road No. 36, Jubilee Hills,
Hyderabad – 500 034
Ph. No. : +91 40 2355 8994

Chandigarh:
2nd Floor, Aspire Tower, Plot no. 55,
Industrial & Business park, Phase 1,
Chandigarh – 160 002
Ph. No. : +91 172 5012 347

Gurugram:
Global Business Park, Tower – A, 5th Floor,
Mehrauli–Gurgaon Rd, Sikanderpur,
Sector 26, Gurugram, Haryana 122 002.
Ph. No. : +91 124 4221670

Ahmedabad:
1st Floor, Unit No. 102,
Safal Pegasus, Anand Nagar,
Ahmedabad – 380 015,
Ph. No. : +91 79 4032 2824
+91 84 4838 5318

Indore:
Office No.106 and 107–A,
"Brilliant Titanium",
Plot No.9, Scheme No.78, Part-II,
Indore – 452 010
Ph. No. : +91 96 9168 4480

Pune:
Server Spacer ,
Survey No. 127/1A ,
Plot No. 8, Off. ITI Road, Aundh,
Pune – 411 007
Ph. No : +91 72 0847 6557

Training Centre Address:
Hettich Poddar WoodWorking Institute
Plot No.2, 1st Floor,
DLF Industrial Estate-1
Near NHPC Metro Station,
Faridabad- Haryana- 121003
Ph: +91 129 4203888
Email: info@hpwwi.com

Enquiry & Customer Services
Toll Free : 1800 209 2096 (office hours)
Email: sales_enquiry@in.hettich.com
customer_services@in.hettich.com
www.hettich.com

Follow Hettich India

