

Railing systems and accessories for midway units



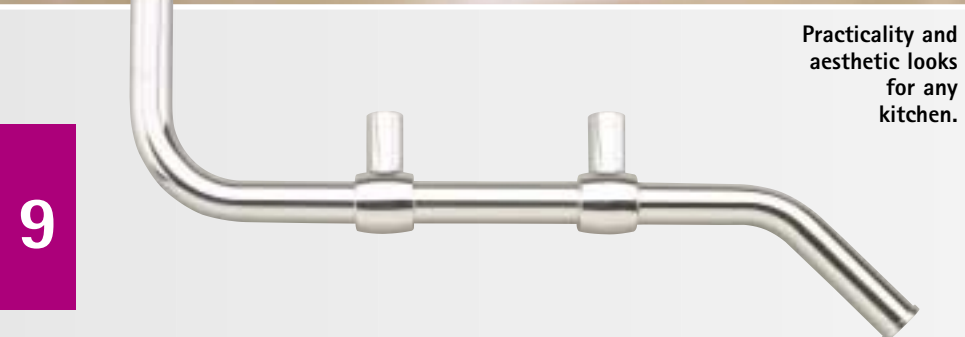
Railing systems afford tangible functionality and visible exclusivity. Attractively designed throughout - the railing is an eye-catching, decoratively stylish element.

Three timeless finishes - suitable for all kitchen fronts. In practical, sturdy design and perfectly crafted, the 90°/135° corner elements permit a wide range of applications for an individually tailored look.

The accessories for midway units are designed for adaptation to the 16 mm dia. railing system.

Designed for optimising midway zones and wall areas, the various system elements leave plenty of scope for creative flexibility in making the most effective use of the midway section. The exquisite surface finishes in matt nickel-plated, matt chrome-plated and high-gloss chrome-plated guarantee a high degree of product appeal.

Railing systems and accessories for midway units exude a fascination by virtue of their optimum material durability, good resistance to impact, abrasion and corrosion ...



Practicality and aesthetic looks for any kitchen.



Railing system ø 16 mm



Rail 16 mm dia.
Length 1000/1500 mm

Finish	Length 1000 mm	Length 1500 mm	PU
1 nickel-plated matt	042 955	073 353	1
2 matt chrome-plated	042 956	042 958	1
3 high-gloss chrome-plated	042 957	073 354	1



Rail angle 16 mm dia.
90° / 135°
for corners

Finish	1 Rail angle 90°	2 Rail angle 135°	PU
nickel-plated matt	073 359	073 362	1
matt chrome-plated	042 959	042 961	1
high-gloss chrome-plated	073 360	073 363	1



Rail support square/round for railing ø 16 mm

Set contains:
1 rail support
2 screws M4 x 4
1 mount
1 allen key

Finish	1 Rail support square	2 Rail support round	PU
nickel-plated matt	042 962	073 371	3 sets
matt chrome-plated	042 963	042 972	3 sets
high-gloss chrome-plated	042 971	073 372	3 sets



End cap for railing ø 16 mm

Finish	Order no.	PU
nickel-plated matt	073 389	2
matt chrome-plated	042 973	2
high-gloss chrome-plated	073 390	2

Railing system \varnothing 16 mm



Connecting sleeve

for connecting

- 2 railing tubes
- 1 rail and 1 rail angle 90°/135°

black plastic

Article	Order no.	PU
Connecting sleeve	073 401	5

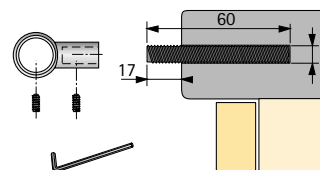


Fastening bolt

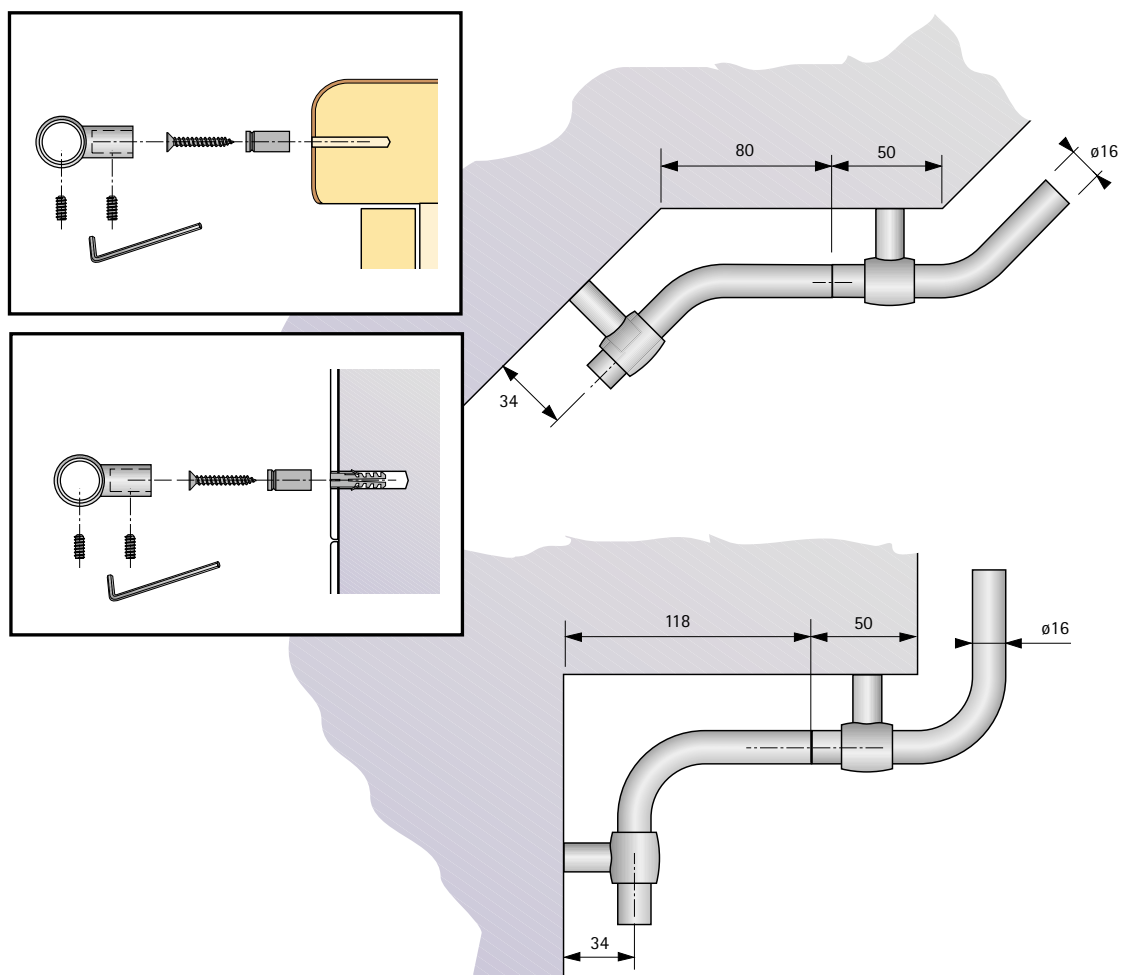
to fasten the rail supports round
(order no. 073 371, 042 972, 073 372,
see page 9.5)

to granite worktops

zinc-plated steel



Article	Order no.	PU
Fastening bolt for granite worktops	042 995	3



Accessories for midway units for railing systems ø 16 mm



2-tier spice rack

Width 350 mm
Depth 95 mm
Height 270 mm

Finish	Order no.	PU
nickel-plated matt	043 058	1
matt chrome-plated	043 059	1
high-gloss chrome-plated	043 061	1



Kitchen roll holder

Width 350 mm
Depth 140 mm
Height 200 mm

Finish	Order no.	PU
nickel-plated matt	043 062	1
matt chrome-plated	043 063	1
high-gloss chrome-plated	043 064	1



All-purpose rack

Width 350 mm
Depth 140 mm
Height 200 mm

Finish	Order no.	PU
nickel-plated matt	043 065	1
matt chrome-plated	043 066	1
high-gloss chrome-plated	043 067	1



Filter bag rack

Width 160 mm
Depth 55 mm
Height 200 mm

Finish	Order no.	PU
nickel-plated matt	043 068	1
matt chrome-plated	043 069	1
high-gloss chrome-plated	043 071	1



Corner basket

Width 250 mm
Depth 250 mm
Height 200 mm

Finish	Order no.	PU
nickel-plated matt	043 072	1
matt chrome-plated	043 073	1
high-gloss chrome-plated	043 074	1

Accessories for midway units for railing systems ø 16 mm



All-purpose rack

Width 450 mm
Depth 185 mm
Height 280 mm

Finish	Order no.	PU
nickel-plated matt	043 075	1
matt chrome-plated	043 076	1
high-gloss chrome-plated	043 077	1



2-tier spice rack

Width 350 mm
Depth 180 mm
Height 280 mm

Finish	Order no.	PU
nickel-plated matt	043 078	1
matt chrome-plated	043 079	1
high-gloss chrome-plated	043 081	1



All-purpose rack with kitchen roll holder

Width 400 mm
Depth 215 mm
Height 335 mm

Finish	Order no.	PU
nickel-plated matt	043 082	1
matt chrome-plated	043 083	1
high-gloss chrome-plated	043 084	1



Kitchen roll holder

Width 260 mm
Depth 160 mm
Height 260 mm

Finish	Order no.	PU
nickel-plated matt	043 085	1
matt chrome-plated	043 086	1
high-gloss chrome-plated	043 087	1



3-tier kitchen roll holder

Width 330 mm
Depth 155 mm
Height 371 mm

Finish	Order no.	PU
nickel-plated matt	043 088	1
matt chrome-plated	043 089	1
high-gloss chrome-plated	043 091	1



Knife holder complete with knife block

Width 350 mm
Depth 35 mm
Height 350 mm

Finish	Order no.	PU
nickel-plated matt	043 092	1
matt chrome-plated	043 093	1
high-gloss chrome-plated	073 422	1



Corner basket

Width 320 mm
Depth 355 mm
Height 280 mm

Finish	Order no.	PU
nickel-plated matt	043 094	1
matt chrome-plated	043 095	1
high-gloss chrome-plated	043 096	1



Double S-hooks

Finish	Order no.	PU
nickel-plated matt	073 409	3
matt chrome-plated	043 097	3
high-gloss chrome-plated	073 410	3



Design-S-hook

Finish	Order no.	PU
nickel-plated matt	043 098	5
matt chrome-plated	043 099	5
high-gloss chrome-plated	043 701	5



S-hook

Finish	Order no.	PU
nickel-plated matt	073 403	5
matt chrome-plated	043 702	5
high-gloss chrome-plated	073 404	5

Linero 2000



Mixer holder with two hooks at the side for the beaters.



An attractive, practical eye-catcher: everything is tidily stored, within easy reach.

Stylish, practical midway equipment in stainless steel finish and aluminium finish

Timelessly elegant, Linero 2000 fits easily into any environment. The midway section is turned into a practical, aesthetic work zone - convenience and a stylish ambience for the kitchen environment.

Linero 2000 - is a newly devised function rail affording an unrestricted, clip-on capability throughout the midway zone - flexibility at its best.

Everything you need for cooking is neatly organised and always ready to hand.

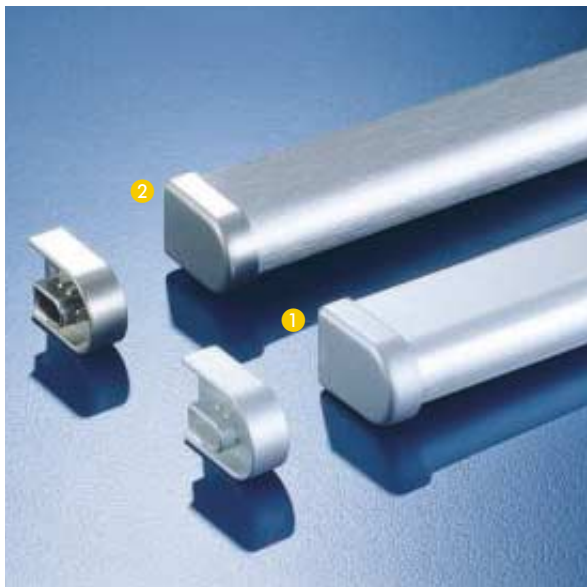
Whether spice rack, all-purpose or wine rack, filter bag rack, towel or roll holder, cookery book holder or storage cylinder holder - practical, stylishly designed elements in attractive stainless steel finish and new in trendy aluminium finish.



Cookery book holder - this practical helper prevents pages from turning over.

The Linero 2000 functional elements in stainless steel finish can be securely clipped just as easily into the Helix and Bolivia midway light units (see pages 9.18 - 9.25) for perfect illumination.

Accessories for midway units Linero 2000



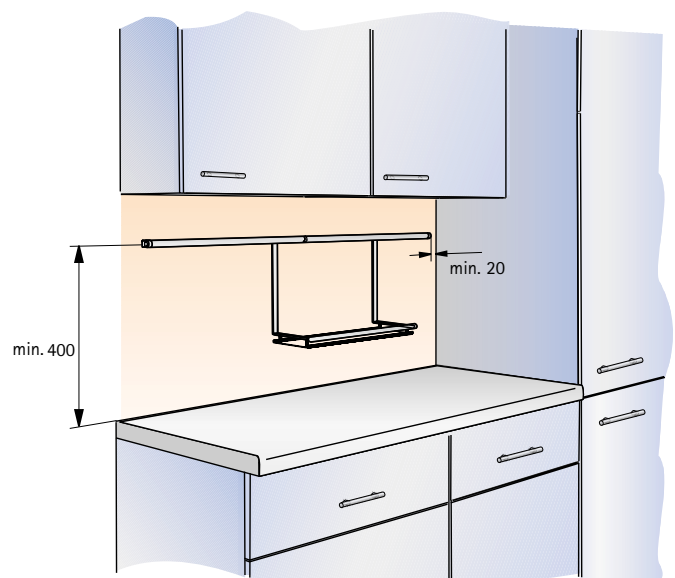
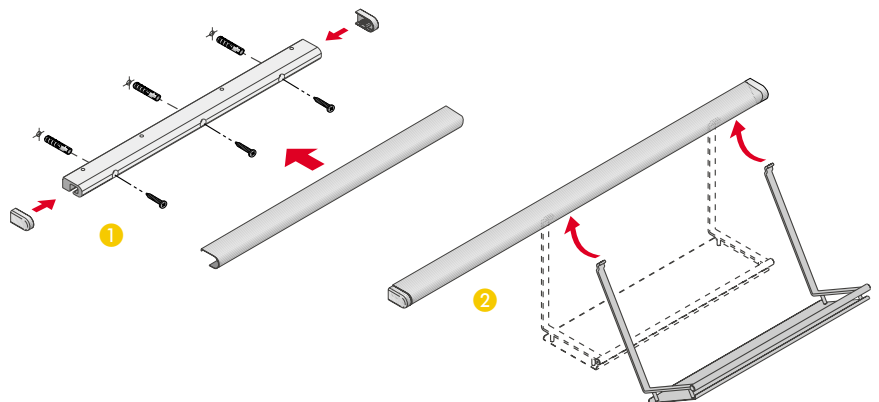
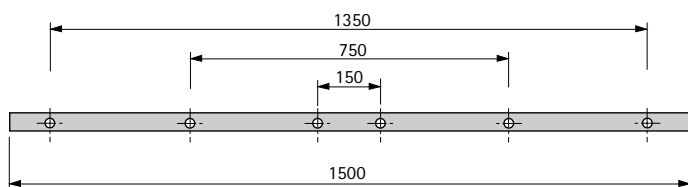
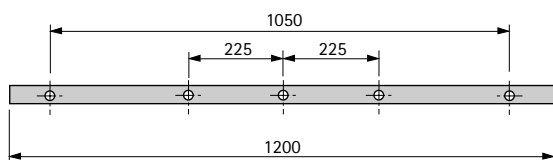
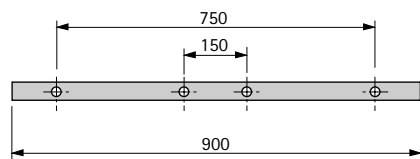
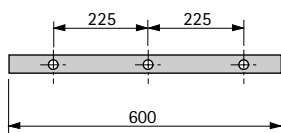
Function rail
for the fast, precision and unrestricted attachment
of Linero 2000 function elements.

Set contains:

- 1 function rail, length 600, 900, 1200 or 1500 mm
- 1 connector
- 2 end caps
- screws and dowels

Finish	Length mm	Order no.	PU
1 aluminium finish	600	013 687	1 set
	900	013 688	1 set
	1200	013 689	1 set
	1500	013 690	1 set
2 stainless steel finish	600	070 461	1 set
	900	070 462	1 set
	1200	070 463	1 set
	1500	070 464	1 set

Assembly



Accessories for midway units

Linero 2000



Towel rail

Length 570 mm

Finish	Order no.	PU
aluminium finish	013 691	1
stainless steel finish	070 465	1



Hook rack

Length 380 mm

Finish	Order no.	PU
aluminium finish	013 692	1
stainless steel finish	070 466	1



All-purpose rack

Width 440 mm

Depth 150 mm

Height 275 mm

Finish	Order no.	PU
aluminium finish	013 693	1
stainless steel finish	070 467	1



Kitchen roll holder

for household paper towel rolls

Width 352 mm

Depth 150 mm

Height 255 mm

Finish	Order no.	PU
aluminium finish	013 694	1
stainless steel finish	070 468	1



3-tier roll holder with patented tear-off system

Width 352 mm

Depth 150 mm

Height 305 mm

The patented tear-off system puts an end to ragged edges. Aluminium foil and cling film can be gauged accurately and torn off with precision in one easy movement.

Finish	Order no.	PU
aluminium finish	013 695	1
stainless steel finish	070 469	1



**Storage container holder
including 3 storage containers**

Width 380 mm
Depth 150 mm
Height 370 mm

Finish	Order no.	PU
aluminium finish	013 696	1
stainless steel finish	070 470	1



Plate and chopping board rack

For 12 plates with

- max. dia. of 250 mm
- max. plate depth of 23 mm

Width 380 mm
Depth 190 mm
Height 255 mm

Finish	Order no.	PU
aluminium finish	013 697	1
stainless steel finish	070 471	1



Knife holder with wooden block

Plastic guard prevents accidental access and injury

Width 380 mm
Depth 80 mm
Height 370 mm

Finish	Order no.	PU
aluminium finish	013 698	1
stainless steel finish	070 472	1



Knife holder

Plastic guard prevents accidental access and injury

Width 380 mm
Depth 80 mm
Height 370 mm

Finish	Order no.	PU
aluminium finish	013 699	1
stainless steel finish	070 473	1



Dishwashing utensil holder

Width 501 mm
Depth 150 mm
Height 275 mm

Finish	Order no.	PU
aluminium finish	013 700	1
stainless steel finish	070 474	1

Accessories for midway units

Linero 2000



Cookery book holder

Width 440 mm
Depth 74 mm
Height 320 mm

Finish	Order no.	PU
aluminium finish	013 701	1
stainless steel finish	070 475	1



Storage container holder including one storage container

Width 147 mm
Depth 150 mm
Height 335 mm

Finish	Order no.	PU
aluminium finish	013 702	1
stainless steel finish	070 476	1



Breakfast place setting holder including one storage container

Width 440 mm
Depth 150 mm
Height 370 mm

Finish	Order no.	PU
aluminium finish	013 703	1
stainless steel finish	070 477	1



Filter bag rack

Width 195 mm
Depth 80 mm
Height 290 mm

Finish	Order no.	PU
aluminium finish	013 704	1
stainless steel finish	070 478	1



2-tier spice rack

for bottles and jars up to 59 mm in diameter and approx. 110 mm in height

Width 380 mm
Depth 80 mm
Height 275 mm

Finish	Order no.	PU
aluminium finish	013 705	1
stainless steel finish	070 479	1



**Writing set holder
with note block and 2 ball-point pens**

Width 145 mm
Depth 150 mm
Height 275 mm

Finish	Order no.	PU
aluminium finish	013 842	1
stainless steel finish	070 480	1



Wine rack

Width 380 mm
Depth 190 mm
Height 275 mm

Finish	Order no.	PU
aluminium finish	013 843	1
stainless steel finish	070 481	1



Saucepan lid rack

Width 115 mm
Depth 80 mm
Height 255 mm

Finish	Order no.	PU
aluminium finish	013 844	1
stainless steel finish	070 482	1



**Mixer holding component
with 2 hooks at the side for the beaters**

Width 295 mm
Depth 150 mm
Height 275 mm

Finish	Order no.	PU
aluminium finish	041 166	1
stainless steel finish	041 167	1

Midway system Easy-Line

Customised recess organisation with that extra something



Now there's a handy place in the appliance space for all the little odds and ends in everyday use in the kitchen.

An attractive, silver anodized functional rail with concealed fixing adapters for fast, easy wall mounting provides secure holding and flexible arrangement options for the versatile range of equipment accessories in high-grade clear plastic.

Storage trays of various shapes and sizes, quivers, clip-on hooks and a chrome-plated steel rail bar, combined as 3 different complete sets, ready for fitting, give the kitchen worktop area a new look. And they're not just for kitchens - Easy-Line's versatile scope for use also extends to the bathroom or the office.



Accessories for midway units

Easy-Line



Midway system Easy-Line, set 1

Set contains:

- 1 function rail 1000 mm, silver anodised aluminium
- 2 clip-on hooks
- 3 quivers
- 1 railing bar
- 1 letter tray

Function rail, silver anodised aluminium
accessories, transparent plastic/chrome-plated steel

Article	Order no.	PU
Easy-Line, set 1	042 519	1 set



Midway system Easy-Line, set 2

Set contains:

- 1 function rail 1000 mm, silver anodised aluminium
- 2 clip-on hooks
- 2 letter trays
- 1 flat letter tray
- 2 quivers

Function rail, silver anodised aluminium
accessories, transparent plastic

Article	Order no.	PU
Easy-Line, set 2	042 521	1 set



Midway system Easy-Line, set 3

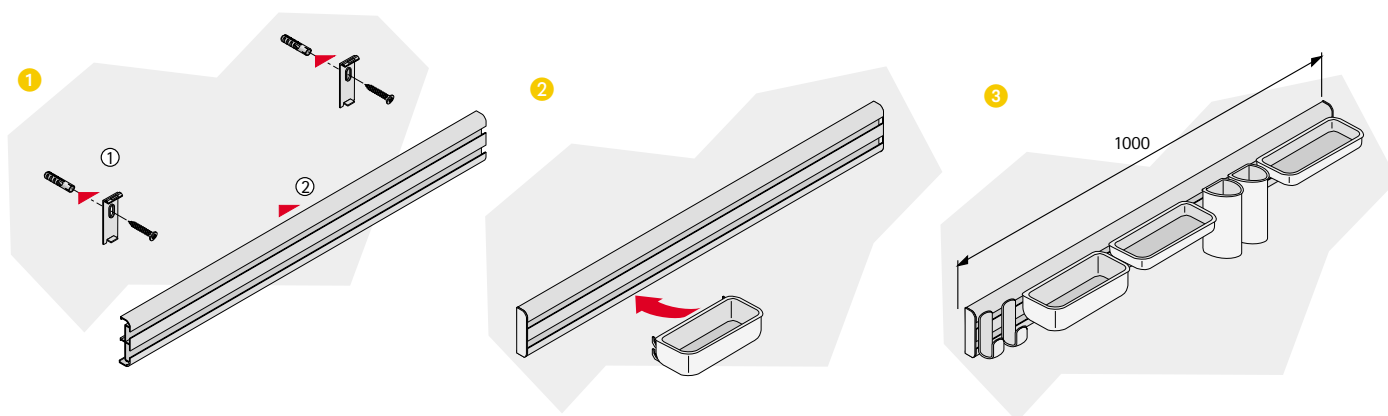
Set contains:

- 1 function rail 1000 mm, silver anodised aluminium
- 2 clip-on hooks
- 1 letter tray
- 1 letter tray with two dividers
- 1 flat letter tray
- 2 quivers

Function rail, silver anodised aluminium
accessories, transparent plastic

Article	Order no.	PU
Easy-Line, set 3	042 522	1 set

Assembly



Helix

the variable lighting and midway system,
a highlight in any kitchen

Helix is the combined lighting/midway system
for attractively illuminating any midway situation -
and also the railing itself.

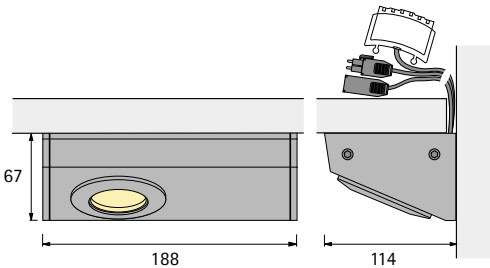
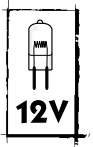


**Helix provides a whole host
of features, such as**

- halogen lighting system with switch and socket outlet units
- midway equipment with integrated function rail for incorporating the Linero 2000 range, see pages 9.10 - 9.15
- railing system with fixing elements and 16 mm dia. rail for midway equipment see pages 9.7 - 9.9

Lighting and midway system

Helix



LV halogen, 12 V
Halogen light *Helix*
 with integrated electronic transformer



12 V 20 W 32°
 Transformer 230 V / 12 V 20-100 W
 6 plug connectors
 min. load 20 W
 max. load 100 W
 through-wired with 150/100 mm lead

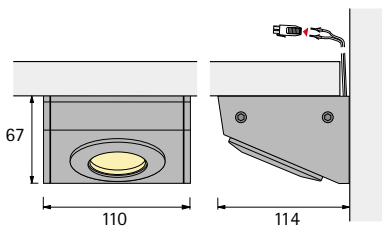
- connection therefore possible for
 • 4 additional helix lights, order no. 070 735

Ready mounted in an aluminium profile
 surface stainless steel finish
 Cover ring with cover glass
 surface stainless steel finish

Lamp: QT 9

dimable

Article	Order no.	PU
Helix LV halogen light 20 watts/12 V, with transformer	070 734	1
Replacement 20 watt lamp QT 9	055 315	1



LV halogen, 12 V
Halogen light *Helix*



12 V 20 W 32°
 2 m lead, plug connection
 Ready mounted in an aluminium profile
 surface stainless steel finish
 Cover ring with cover glass
 surface stainless steel finish

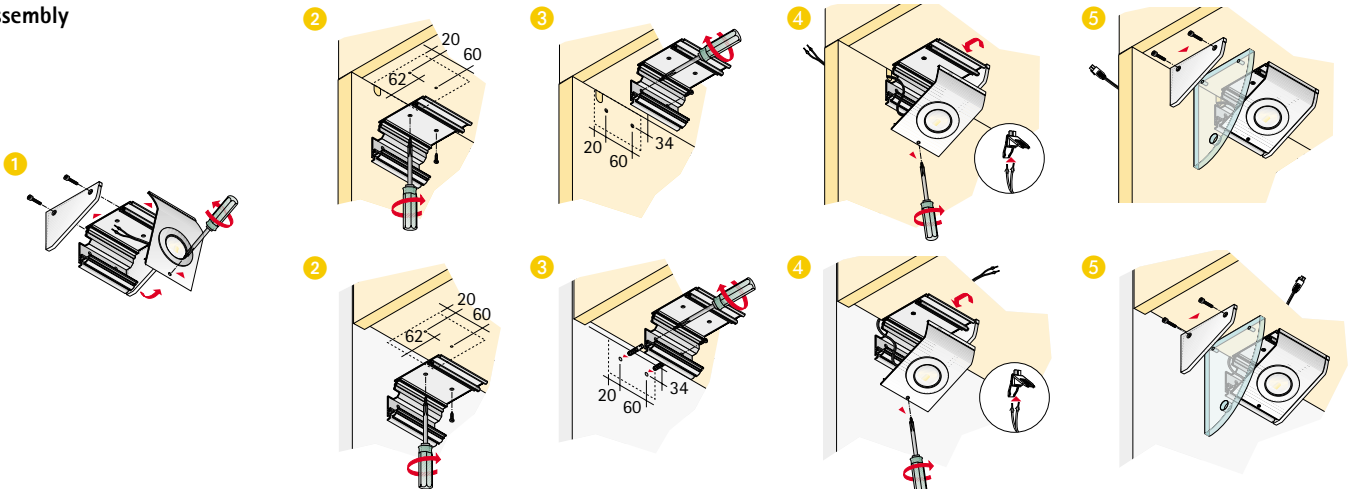
Lamp: QT 9

dimable

Can be used with the Magic transformer range or directly connectable to the Helix light, order no. 070 734

Article	Order no.	PU
Helix low-voltage halogen light 20 watts/12 V	070 735	1
Replacement 20 watt lamp QT 9	055 315	1

Assembly



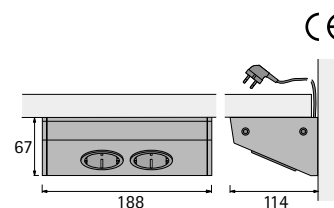
Lighting and midway system

Helix



Double socket-outlet

230 V
2 m lead
with shockproof plug
Ready mounted in an aluminium profile
surface stainless steel finish

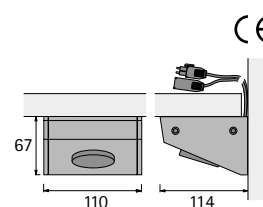


Article	Order no.	PU
Double socket-outlet for Helix	070 736	1

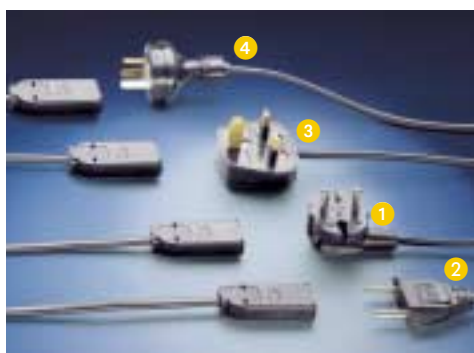


Switch

230 V
Through-wired with 150/150 mm lead
and 2-pin plug (plug/socket).
Ready mounted in an aluminium profile
surface stainless steel finish

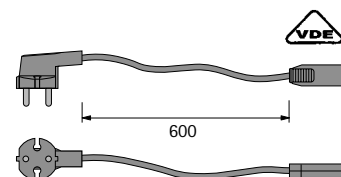


Article	Order no.	PU
Switch for Helix	070 737	1



HV feeder with moulded right-angle plug, Swiss-type plug, UK version or AUS/NZL version

230 V 10A
0,6 m lead with HV plug connection



Article	Finish	Order no.	PU
① moulded right-angle plug	black	076 707	1
② swiss type plug	black	077 509	1
③ GB version	black	071 473	1
④ AUS/NZL version	black	071 474	1

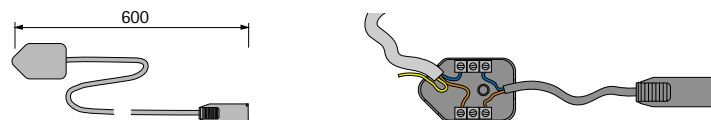


High-voltage feeder, 2-core with terminal box

230 V, 10 A 0,6 m lead with HV plug connection black

Domestic wiring system connection (solid conductors) in terminal box:

the ferruled live and neutral conductor are easily connected in the terminal box.
As this is a 2-core connection, the protective earth conductor is not to be connected in the terminal box. The protective earth conductor will nevertheless trip the fuse in the event of short circuit and is thus fully operational.

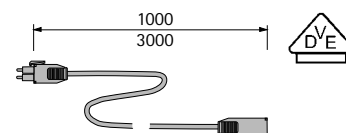


Article	Order no.	PU
High-voltage feeder, 2-core with terminal box	076 708	1

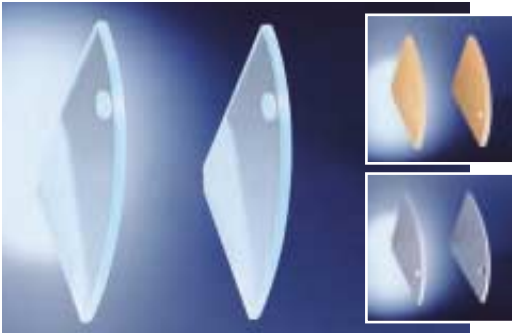


HV extension lead, 2-core

230 V, 10 A
1 or 3 m supply lead with HV plug connection
black



Article	Length	Order no.	PU
High-voltage extension lead, 2-core	1 m	076 709	1
	3 m	076 710	1



Fixing bracket

for connecting/fixing Helix lights, switches and double socket-outlets to the rail

Article	Material	Order no.	PU
Fixing bracket for Helix	Glass	070 738	2
	beech multiplex	070 739	2
	aluminium, surface stainless steel finish	070 740	2



16 mm dia. rail including 2 set collars and 2 end caps

The entire range of "midway unit accessories for 16 mm dia. railing" can be attached to the Helix railing bar – see pages 9.7 – 9.9

stainless steel

Set contains:

- 1 railing bar ø 16 mm
- 2 set collars
- 2 end caps

Article	Length	Order no.	PU
dia. rail 16 mm	600 mm	070 741	1 set
	1000 mm	070 742	1 set



Connector

for connecting 2 Helix railing bars

stainless steel

Article	Order no.	PU
Connector	070 743	1

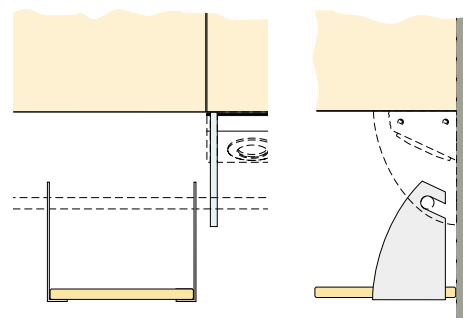


Support bracket

for clipping into the Helix railing bar.

The support bracket can be used with any supporting material to create a shelf.

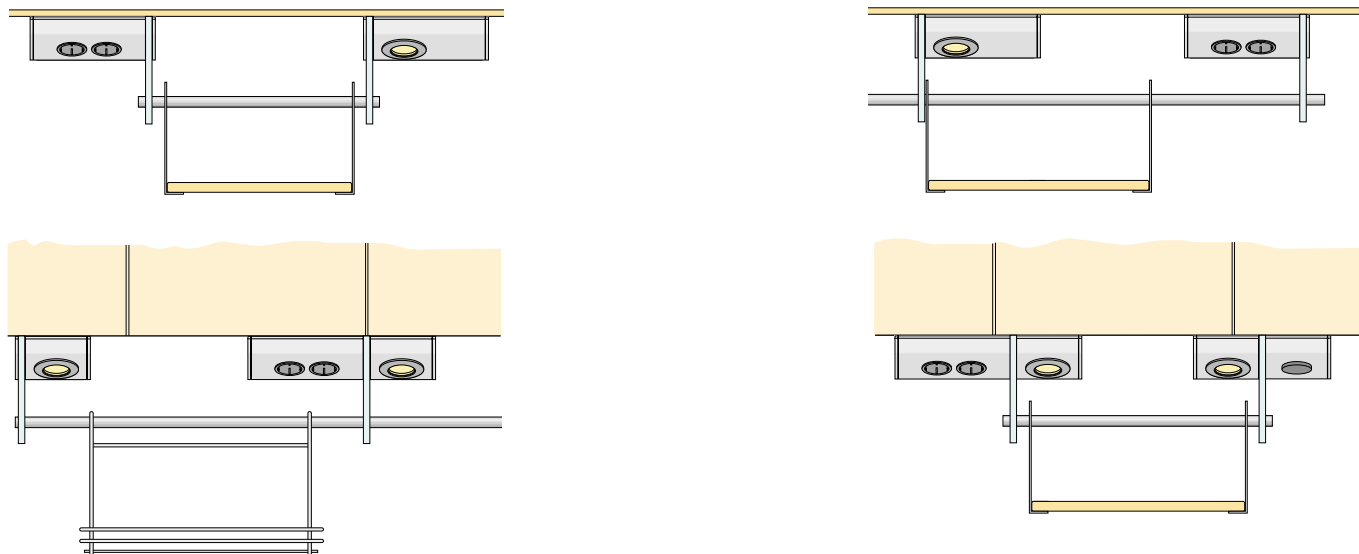
aluminium
surface stainless steel finish



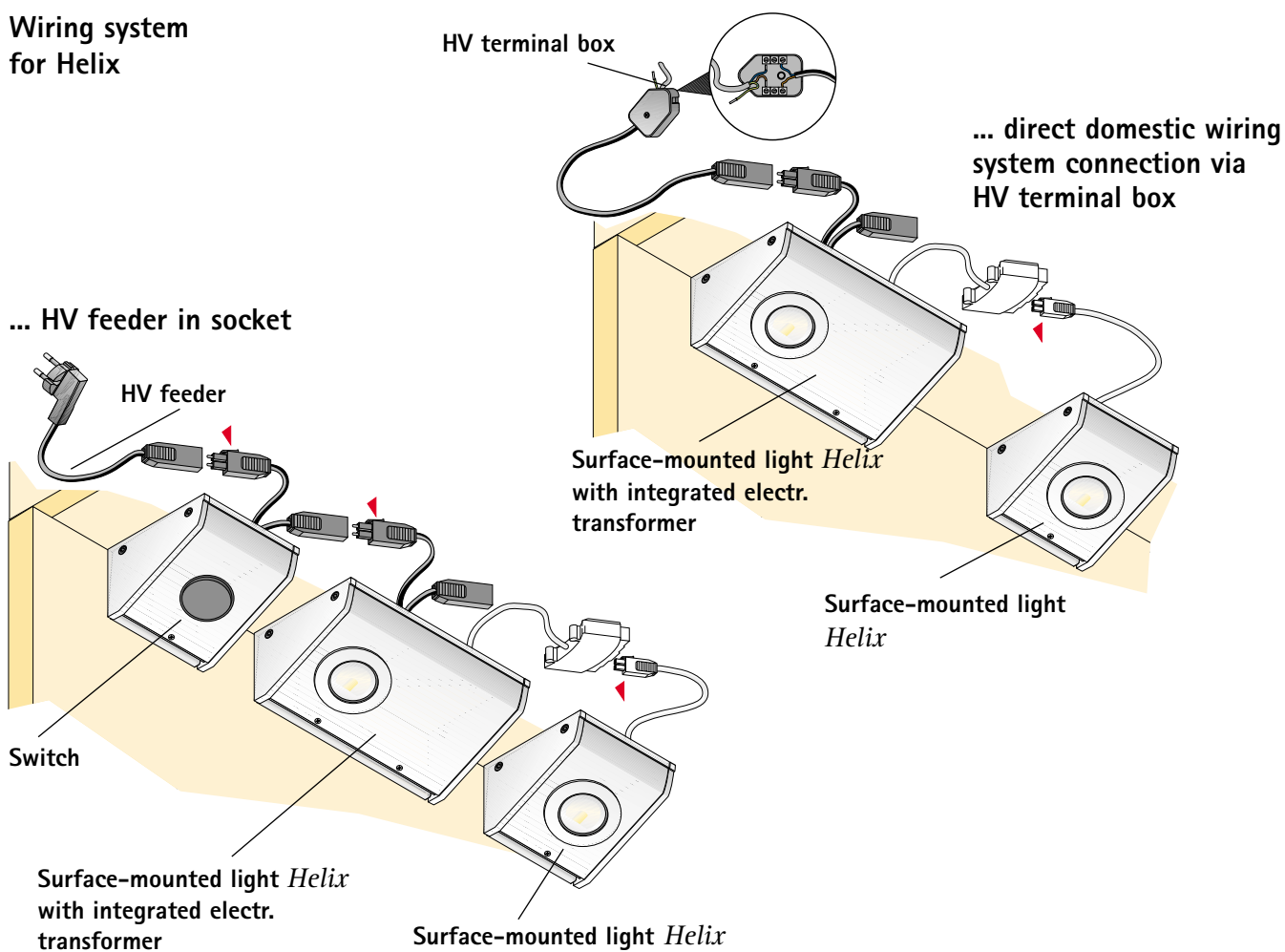
Article	Order no.	PU
Support bracket for Helix	070 744	1 set

Lighting and midway system Helix

Mounting variants



Wiring system for Helix



Bolivia

halogen midway light
with integral railing
in stainless steel finish

Accurately directed light, perfect worktop illumination, compact light in attractive stainless steel finish and an integrated function rail for adapting the entire Linero 2000 midway range ... that's **Bolivia**.

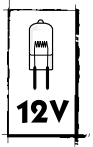
Integrated socket outlets and switches complement the range of functions ...

Bolivia - midway illumination and railing function in timeless stainless steel finish.

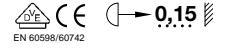


Bolivia

Midway light with integrated function rail



Bolivia
Halogen midway light with integral function rail
for incorporating the Linero 2000 range
(see pages 9.10 - 9.15).

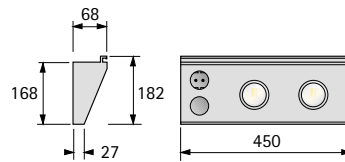


Fully assembled light units in 3 different lengths with 2 x 20 or 3 x 20 watt halogen lights and built-in transformer.

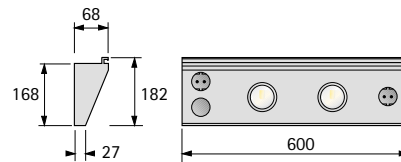
- 150/150 mm through-wiring for direct linkage with further midway lights to create a continuous row.
- Lights connected by the high-voltage extension
- Easy to install to kitchen wall unit
- Each lighting element can be operated separately and also features at least 1 socket outlet. Needless to say, all socket outlets are permanently live even when the lights are not switched on.
- Aluminium case, stainless steel finish.

Lamp: QT 9

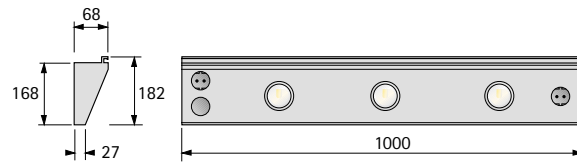
Feeder/extensions must be ordered separately, see page 9.25.



Length 450 mm



Length 600 mm



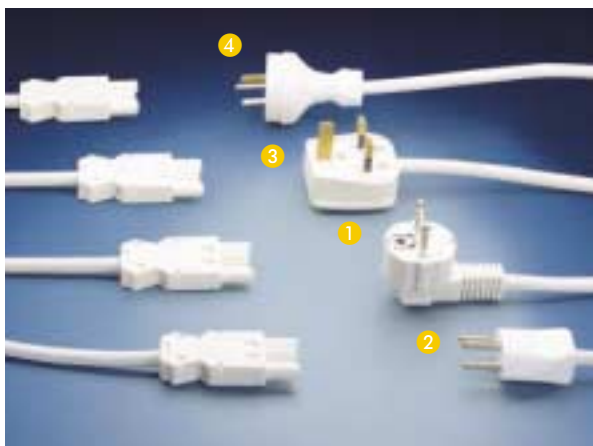
Length 1000 mm

Bolivia, halogen midway light with built-in through-wired transformer 230 V/12 V

Length mm	Finish	Quantity / number of halogen lights	Order no.		PU	
			plugs	switches		
450	stainless steel finish	2 x 20 Watt	1	1	070 750	1 set
600		2 x 20 Watt	2	1	070 751	1 set
1000		3 x 20 Watt	2	1	070 752	1 set

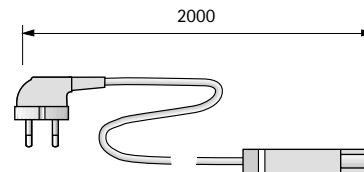
Bolivia

Accessories/assembly

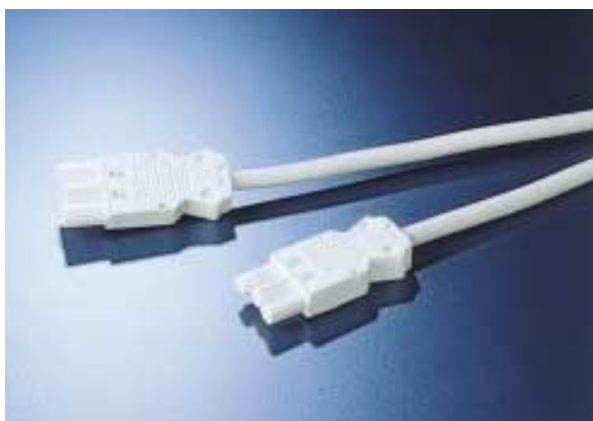


HV-feeder, 3-core with moulded right-angle plug, Swiss-type plug, UK version, AUS/NZL version

230 V 16 A
2 m supply lead
Finish: white

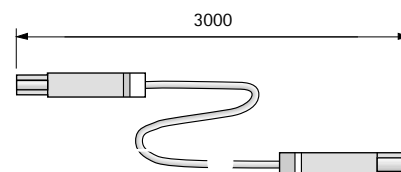


Article	Finish	Order no.	PU
1 HV feeder, 3-core moulded right-angle plug	white	070 753	1
2 swiss type plug	white	011 096	1
3 GB version	white	011 095	1
4 AUS/NZL version	white	011 094	1



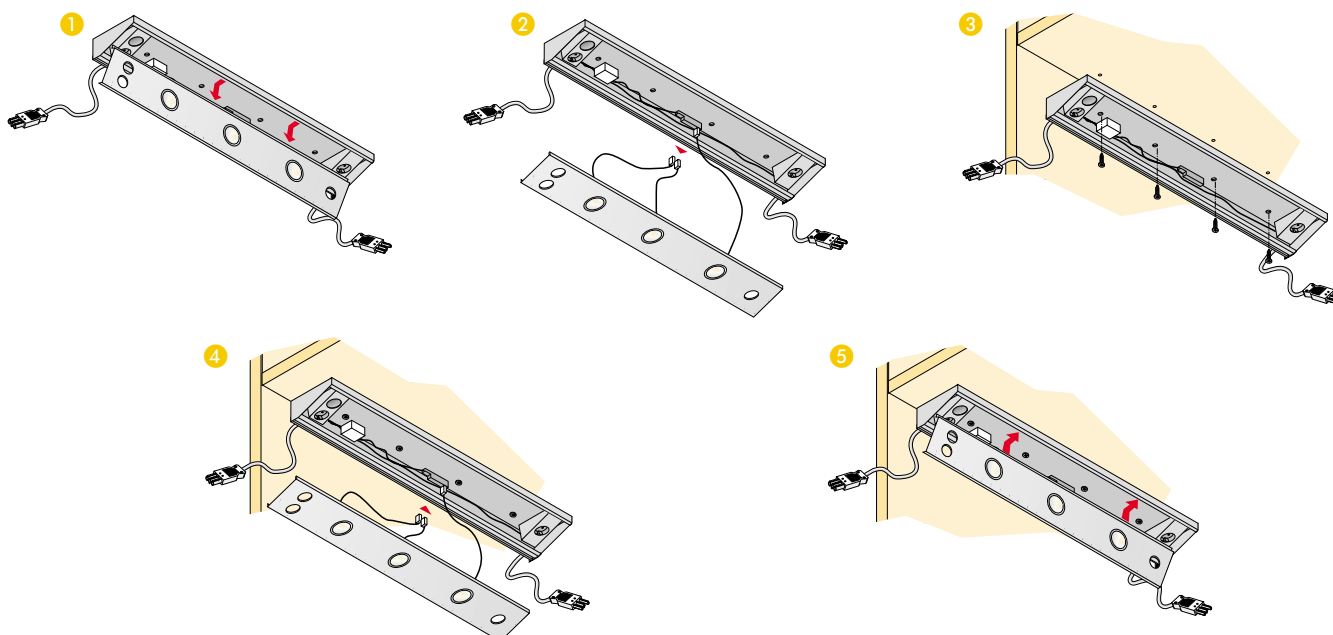
High-voltage extension lead, 3-core

230 V, 16 A
3 m supply lead
Finish: white



Article	Order no.	PU
High-voltage extension lead, 3-core	070 754	1

Assembly



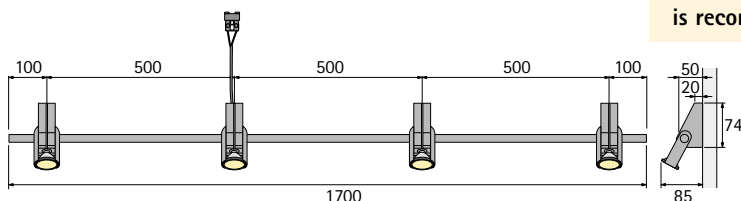
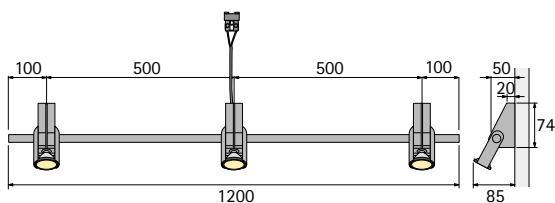
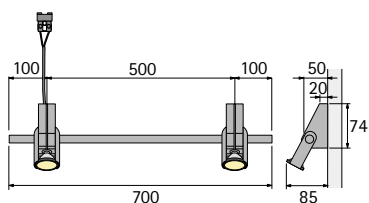
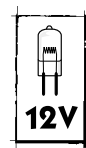
Argentina

Rail system with integrated work surface lighting



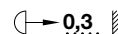
The rail system has the same 16 mm diameter railing and the practical and decorative elements of the midway fittings can be easily integrated, see pages 9.7 - 9.9.

Argentina rail system with integrated worktop lighting



Set contains:

- 1 x 60 W or 105 W transformer
- 700 / 1200 or 1700 mm rail with 2, 3 or 4 x 20 W lights
- 1 m HV lead with Euro flat plug
- 0,1 m + 1,1 m LV lead with plug connection



The lights are connected to one another via the rail tube

All lights are individually switchable

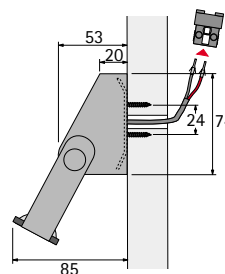
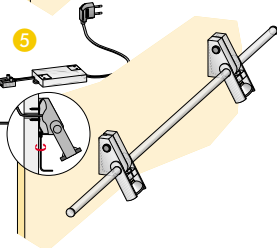
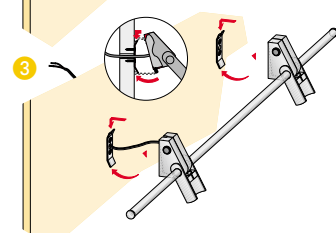
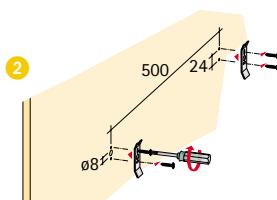
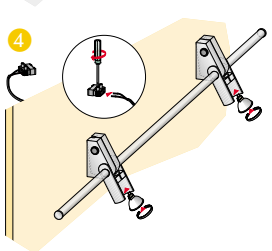
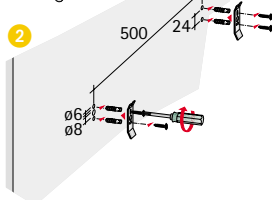
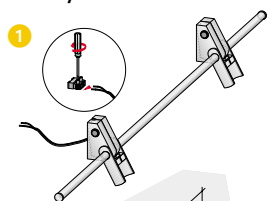
Lamp: QRCB 35

Mounting application

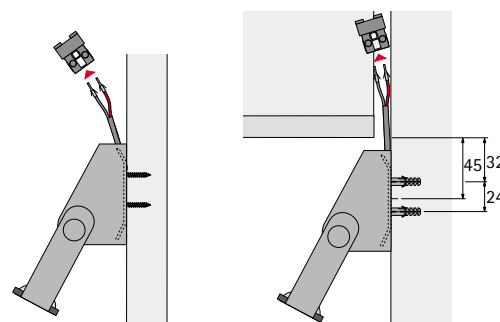
To achieve optimum illumination of the worktop, a distance of 0.4 m between the worktop and rail tube is recommended.

Article	Finish gloss chrome-plated	PU	Length mm	Lights	Transformer rating
2 lights	076 083	1 set	700	2 x 20 watt	230 V / 60 watt
3 lights	076 084	1 set	1200	3 x 20 watt	230 V / 60 watt
4 lights	076 085	1 set	1700	4 x 20 watt	230 V / 105 watt

Assembly



Cable run through rear panel



Cable run in front of rear panel and behind wall unit