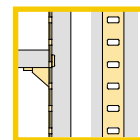
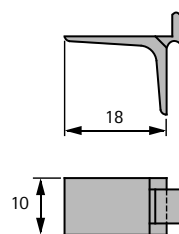
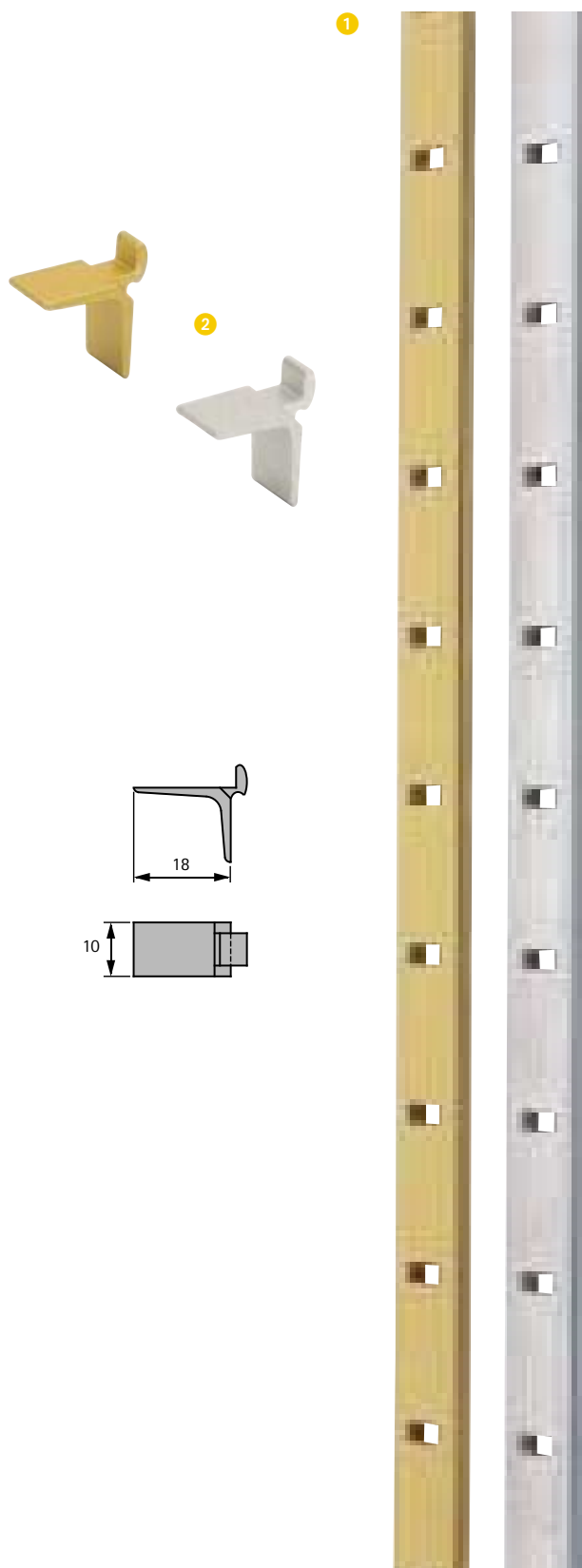
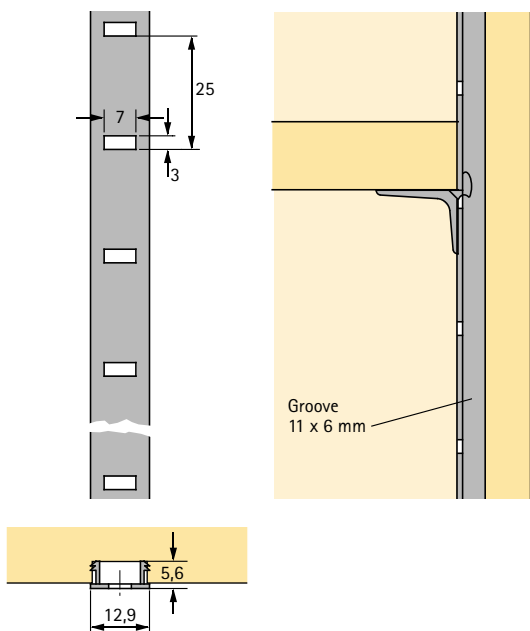


Shelf support strip Vari Alu 11 x 6 mm and shelf support



- 1 Shelf support strip Vari Alu 11 x 6 mm with 25 mm spacing
Standard length 3500 mm
aluminum, self-colour or gold anodised
- 2 Shelf support Vari Alu 11 mm
aluminum, self-colour or gold anodised

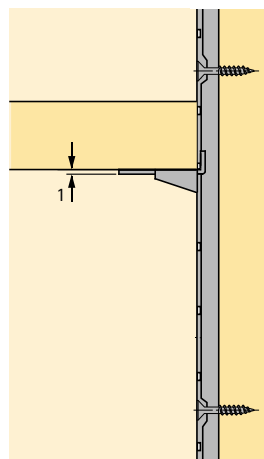
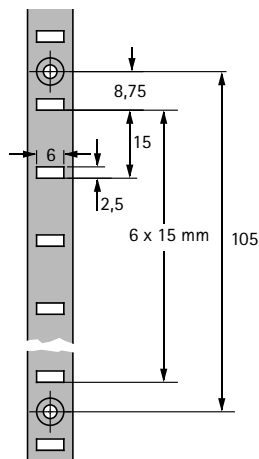
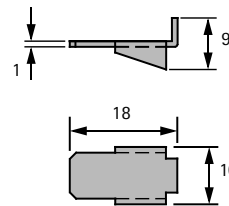
Article	Finish	Order no.	PU
Shelf support strip Vari Alu 11 x 6 mm	self-colour	029 246	30
	gold anodized	029 248	30
Shelf supports Vari Alu 11 mm	self-colour	029 249	250
	gold anodized	029 251	250



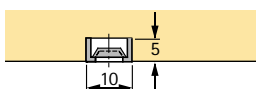
Shelf support strip Vari 10 x 5 mm and shelf support

- 1 Shelf support strip Vari 10 x 5 mm with 15 mm spacing.
Standard length 3500 mm
steel, brass plated or nickel plated
- 2 Shelf support Vari 10 mm
steel, brass plated or chrome plated

Article	Finish	Order no.	PU
Shelf support strip Vari 10 x 5 mm	brass plated	047 611	50
	nickel-plated	047 612	50
Shelf supports Vari 10 mm	brass plated	013 126	250
	chrome plated	013 127	250



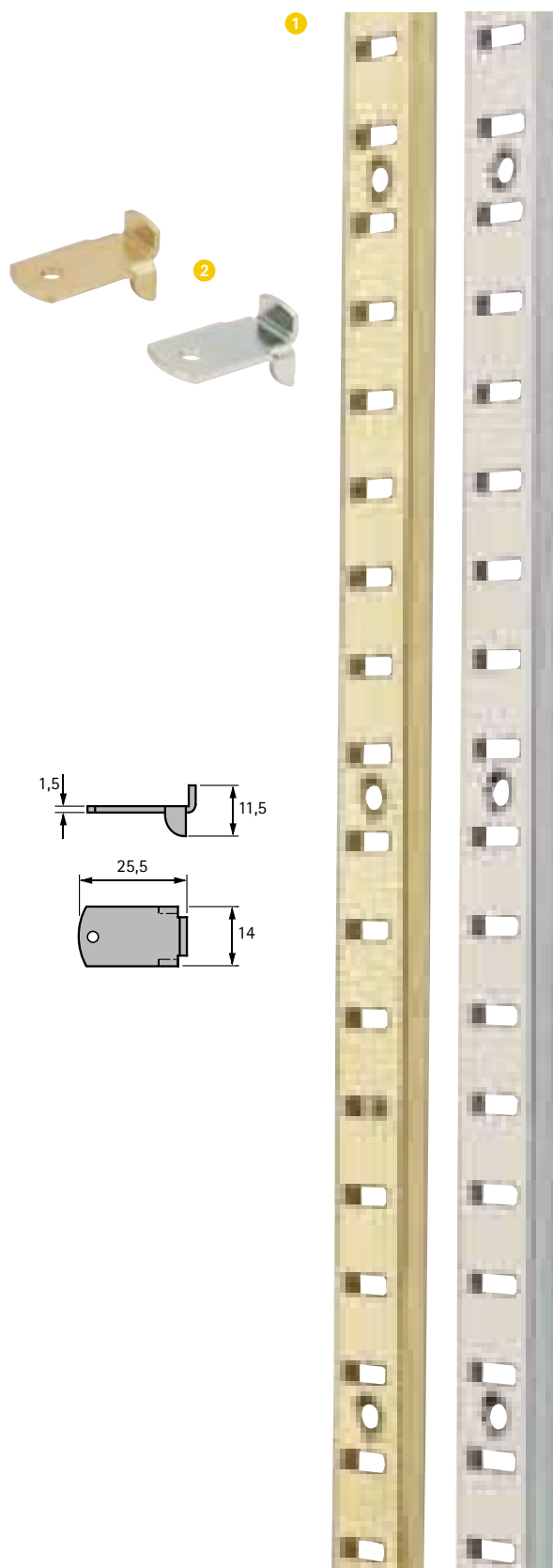
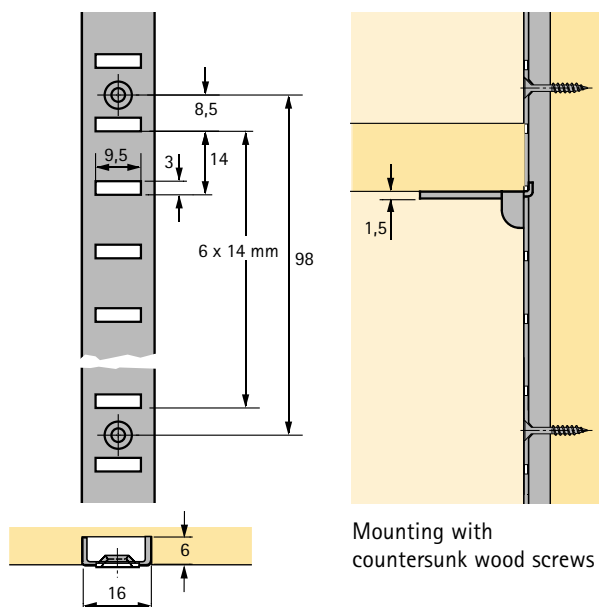
Mounting with
countersunk wood screws



Shelf support strip Vari 16 x 6 mm and shelf support

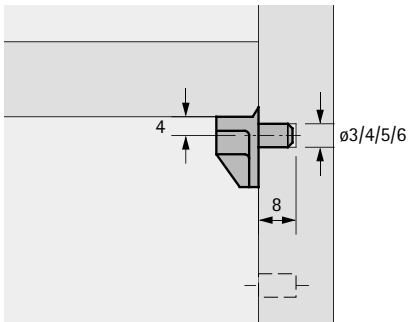
- 1 Shelf support strip Vari 16 x 6 mm with 14 mm spacing.
Standard length 3500 mm
steel, brass plated or nickel plated
- 2 Shelf support Vari 16 mm
steel, brass plated or chrome plated

Article	Finish	Order no.	PU
Shelf support strip Vari 16 x 6 mm	brass plated	047 613	50
	nickel-plated	047 614	50
Shelf supports Vari 16 mm	brass plated	013 128	250
	chrome plated	013 129	250



Shelf supports

Mounting example



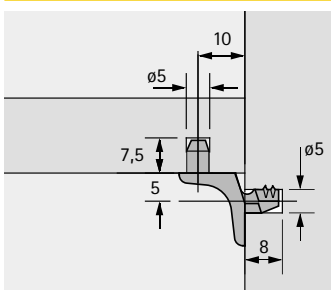
Article

Shelf support Safety
Steel pin,
housed in moulded plastic



System 32

Pin diameter	Finish	Order no.	PU
5 mm	white	025 090	500
	brown	025 091	500
	beige	025 092	500
	translucent	016 180	500
6 mm	translucent	022 532	500
4 mm	translucent	022 533	500
3 mm	translucent	022 534	500



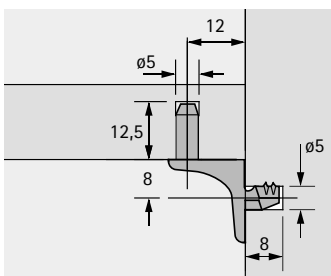
Shelf support Universal 1

Pin diameter 5 mm
1 additional pin
for shelf
die-cast zinc



System 32

Finish	Order no.	PU
nickel-plated	019 557	500
bronze	048 581	500



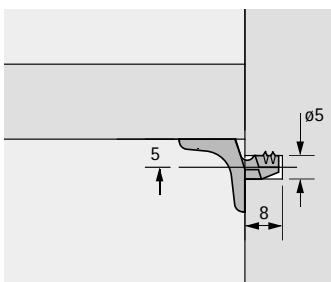
Shelf support Sekura 6

Pin diameter 5 mm
1 additional pin
for shelf
die-cast zinc



System 32

Finish	Order no.	PU
nickel-plated	079 707	500



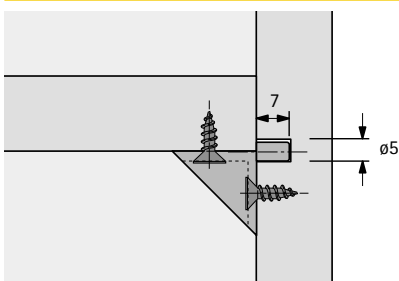
Shelf support Sekura 2

Pin diameter 5 mm
die-cast zinc



System 32

Finish	Order no.	PU
nickel-plated	025 100	500
bronze	048 582	500



Shelf supports

can be screwed on to shelf and side wall
for countersunk screw diameter 3 mm
Pin diameter 5 mm
plastic



System 32

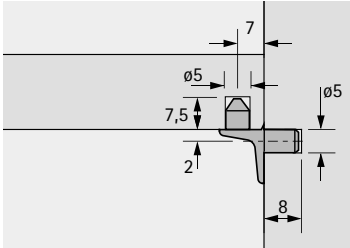
Finish	Order no.	PU
white	044 749	500

Shelf supports

Mounting example	Article																						
	Shelf supports with pin plastic																						
	<table border="1"> <thead> <tr> <th>Pin diameter</th> <th>Finish</th> <th>Order no.</th> <th>PU</th> </tr> </thead> <tbody> <tr> <td>5 mm</td> <td>white</td> <td>044 751</td> <td>500</td> </tr> <tr> <td>6 mm</td> <td>white</td> <td>044 752</td> <td>500</td> </tr> <tr> <td>7 mm</td> <td>white</td> <td>044 753</td> <td>500</td> </tr> <tr> <td>8 mm</td> <td>white</td> <td>044 754</td> <td>500</td> </tr> </tbody> </table>	Pin diameter	Finish	Order no.	PU	5 mm	white	044 751	500	6 mm	white	044 752	500	7 mm	white	044 753	500	8 mm	white	044 754	500		
Pin diameter	Finish	Order no.	PU																				
5 mm	white	044 751	500																				
6 mm	white	044 752	500																				
7 mm	white	044 753	500																				
8 mm	white	044 754	500																				
	Shelf supports with expanding dowel and premounted screw Hole diameter for expanding dowel Each contains 1 additional pin for shelf plastic																						
	<table border="1"> <thead> <tr> <th>Finish</th> <th>Order no.</th> <th>PU</th> </tr> </thead> <tbody> <tr> <td>Grey</td> <td>044 755</td> <td>500</td> </tr> </tbody> </table>	Finish	Order no.	PU	Grey	044 755	500																
Finish	Order no.	PU																					
Grey	044 755	500																					
	Shelf supports Sekura 7 1 Hole diameter 5 mm for Euro screw, countersunk head diameter 6,3 mm 2 Hole diameter 3 mm for countersunk screw dia. 4 mm Each contains 1 additional pin for shelf die-cast zinc																						
		<table border="1"> <thead> <tr> <th>Hole diameter</th> <th>Finish</th> <th>Order no.</th> <th>PU</th> </tr> </thead> <tbody> <tr> <td>5 mm</td> <td>nickel-plated</td> <td>053 012</td> <td>500</td> </tr> <tr> <td>3 mm</td> <td>nickel-plated</td> <td>079 711</td> <td>500</td> </tr> </tbody> </table>	Hole diameter	Finish	Order no.	PU	5 mm	nickel-plated	053 012	500	3 mm	nickel-plated	079 711	500									
Hole diameter	Finish	Order no.	PU																				
5 mm	nickel-plated	053 012	500																				
3 mm	nickel-plated	079 711	500																				
	Shelf supports Sekura 8 Pin diameter 5 mm with glass shelf support transparent die-cast zinc																						
	<table border="1"> <thead> <tr> <th>Finish</th> <th>Order no.</th> <th>PU</th> </tr> </thead> <tbody> <tr> <td>nickel-plated</td> <td>047 609</td> <td>500</td> </tr> <tr> <td>bronze</td> <td>048 583</td> <td>500</td> </tr> </tbody> </table>	Finish	Order no.	PU	nickel-plated	047 609	500	bronze	048 583	500													
Finish	Order no.	PU																					
nickel-plated	047 609	500																					
bronze	048 583	500																					
	Shelf supports Universal D Pin diameter 5 mm die-cast zinc																						
	<table border="1"> <thead> <tr> <th>Finish</th> <th>Order no.</th> <th>PU</th> </tr> </thead> <tbody> <tr> <td>nickel-plated</td> <td>022 737</td> <td>500</td> </tr> <tr> <td>bronze</td> <td>048 584</td> <td>500</td> </tr> </tbody> </table>	Finish	Order no.	PU	nickel-plated	022 737	500	bronze	048 584	500													
Finish	Order no.	PU																					
nickel-plated	022 737	500																					
bronze	048 584	500																					

Shelf supports

Mounting example

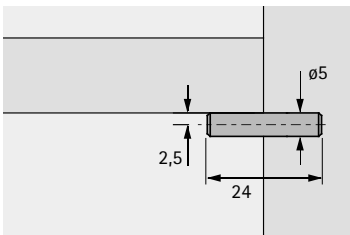


Article

Shelf supports Universal
Pin diameter 5 mm
1 additional pin diameter 5 mm
for shelf
die-cast zinc



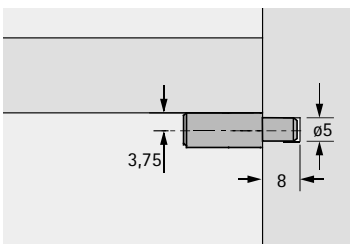
Finish	Order no.	PU
nickel-plated	079 708	500



Push-in shelf support
ø 5 x 24 mm
steel



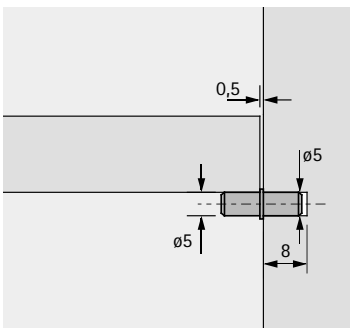
Finish	Order no.	PU
chrome plated	025 124	500



Push-in shelf support
Pin diameter 5 mm
steel



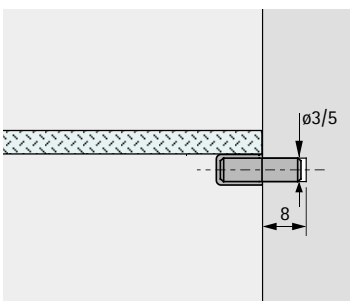
Finish	Order no.	PU
chrome plated	016 181	500



Shelf supports Duplo
Pin diameter both sides 5 mm
steel



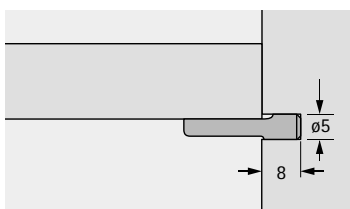
Finish	Order no.	PU
nickel-plated	046 642	500
chrome plated	013 138	500
olive passivated	025 093	500
brass plated	025 094	500



Glass shelf support
with soft plastic coating
Soft plastic support prevents shelf
from rattling
Steel pin, chrome plated
plastic, transparent



Pin diameter	Order no.	PU
5 mm	079 709	500
3 mm	079 710	500



Flattened shelf support
for hole line ø 5 mm
steel



Finish	Order no.	PU
chrome plated	020 782	500

Shelf supports

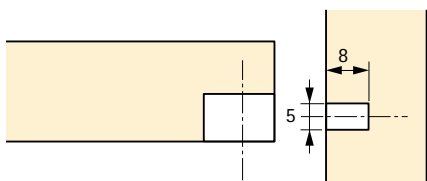
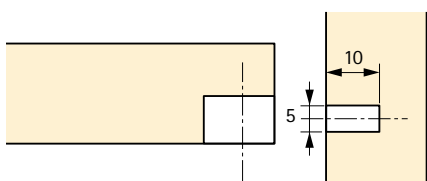
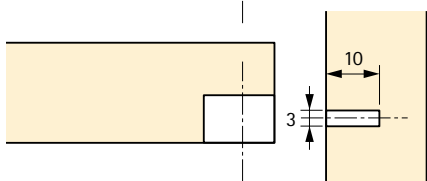
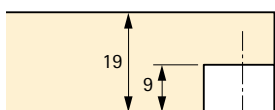
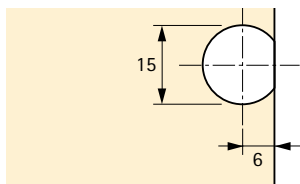
Mounting example	Article																											
	Flattened shelf support with sleeve Pin diameter 8 mm steel																											
	<table border="1"> <thead> <tr> <th>Finish</th> <th>Order no.</th> <th>PU</th> </tr> </thead> <tbody> <tr> <td rowspan="2">Shelf supports</td> <td>brass plated</td> <td>025 200</td> <td>500</td> </tr> <tr> <td>nickel-plated</td> <td>025 201</td> <td>500</td> </tr> <tr> <td rowspan="2">Sleeve</td> <td>brass plated</td> <td>025 202</td> <td>500</td> </tr> <tr> <td>nickel-plated</td> <td>025 203</td> <td>500</td> </tr> </tbody> </table>	Finish	Order no.	PU	Shelf supports	brass plated	025 200	500	nickel-plated	025 201	500	Sleeve	brass plated	025 202	500	nickel-plated	025 203	500										
Finish	Order no.	PU																										
Shelf supports	brass plated	025 200	500																									
	nickel-plated	025 201	500																									
Sleeve	brass plated	025 202	500																									
	nickel-plated	025 203	500																									
	Perfekt F shelf stud with steel pin plastic																											
	<table border="1"> <thead> <tr> <th>Finish</th> <th>Order no.</th> <th>PU</th> </tr> </thead> <tbody> <tr> <td>white</td> <td>013 130</td> <td>500</td> </tr> <tr> <td>brown</td> <td>013 131</td> <td>500</td> </tr> </tbody> </table>	Finish	Order no.	PU	white	013 130	500	brown	013 131	500																		
Finish	Order no.	PU																										
white	013 130	500																										
brown	013 131	500																										
	Two part shelf support VB 52 D The support part, which is made of die-cast zinc, is mounted to the cabinet. The shelf is securely tightened to the cabinet side by the cone-shaped guide. die-cast zinc																											
	<table border="1"> <thead> <tr> <th>Finish</th> <th>Order no.</th> <th>PU</th> </tr> </thead> <tbody> <tr> <td>nickel-plated</td> <td>047 662</td> <td>500</td> </tr> <tr> <td>bronze</td> <td>048 593</td> <td>500</td> </tr> <tr> <td rowspan="2">Euro screw, countersunk head</td> <td>ø 6,3 x 14 mm</td> <td>047 452</td> <td>200</td> </tr> <tr> <td>ø 6,3 x 18 mm</td> <td>052 799</td> <td>200</td> </tr> </tbody> </table>	Finish	Order no.	PU	nickel-plated	047 662	500	bronze	048 593	500	Euro screw, countersunk head	ø 6,3 x 14 mm	047 452	200	ø 6,3 x 18 mm	052 799	200											
Finish	Order no.	PU																										
nickel-plated	047 662	500																										
bronze	048 593	500																										
Euro screw, countersunk head	ø 6,3 x 14 mm	047 452	200																									
	ø 6,3 x 18 mm	052 799	200																									
	Two part shelf support VB 53 D die-cast zinc																											
	<table border="1"> <thead> <tr> <th>Article</th> <th>Finish</th> <th>Order no.</th> <th>PU</th> </tr> </thead> <tbody> <tr> <td rowspan="2">VB 53 D for hole line ø 3 mm</td> <td>nickel-plated</td> <td>068 577</td> <td>500</td> </tr> <tr> <td>bronze</td> <td>068 578</td> <td>500</td> </tr> <tr> <td>Countersunk wood screw ø 4 x 20 mm</td> <td></td> <td>066 133</td> <td>500</td> </tr> <tr> <td rowspan="2">VB 53 D for hole line ø 5 mm</td> <td>nickel-plated</td> <td>069 788</td> <td>500</td> </tr> <tr> <td>bronze</td> <td>070 332</td> <td>500</td> </tr> <tr> <td>Euro screw ø 6,3 x 18 mm</td> <td></td> <td>052 799</td> <td>200</td> </tr> </tbody> </table>	Article	Finish	Order no.	PU	VB 53 D for hole line ø 3 mm	nickel-plated	068 577	500	bronze	068 578	500	Countersunk wood screw ø 4 x 20 mm		066 133	500	VB 53 D for hole line ø 5 mm	nickel-plated	069 788	500	bronze	070 332	500	Euro screw ø 6,3 x 18 mm		052 799	200	
Article	Finish	Order no.	PU																									
VB 53 D for hole line ø 3 mm	nickel-plated	068 577	500																									
	bronze	068 578	500																									
Countersunk wood screw ø 4 x 20 mm		066 133	500																									
VB 53 D for hole line ø 5 mm	nickel-plated	069 788	500																									
	bronze	070 332	500																									
Euro screw ø 6,3 x 18 mm		052 799	200																									

Tungsten carbide drill bit for VB 52 D and VB 53 D
 Shaft 10 mm, cylindrical
For upright and hand drills only

Article	Hole diameter mm	Order no.	PU
Tungsten carbide drill bit for VB 52 D / VB 53 D	15	044 757	1
	20	046 077	1

Shelf supports

Mounting example

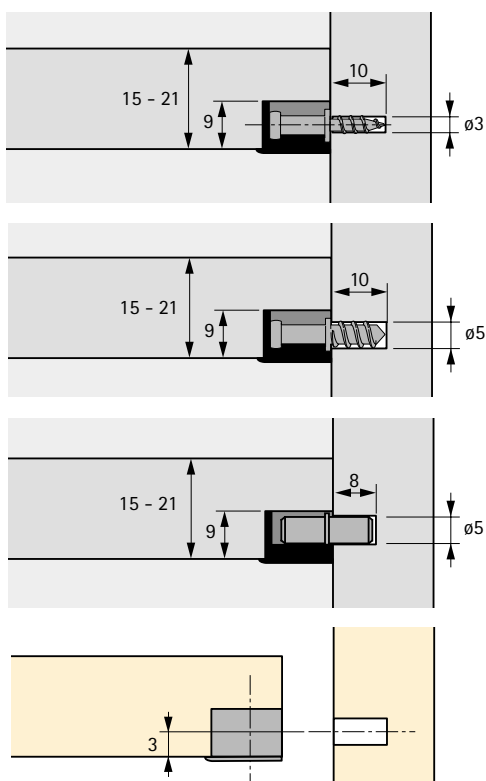


Article

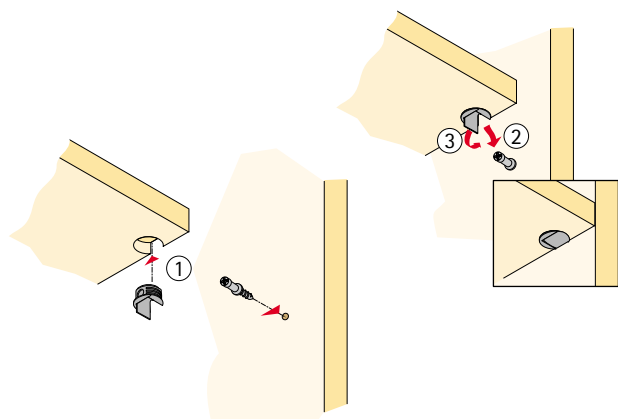
Two part shelf support with tilt prevention
to prevent the shelf being accidentally removed or tilted
plastic



Finish	Order no.	PU
white	048 092	500



Dowel for two part shelf support
with tilt prevention
chromated steel



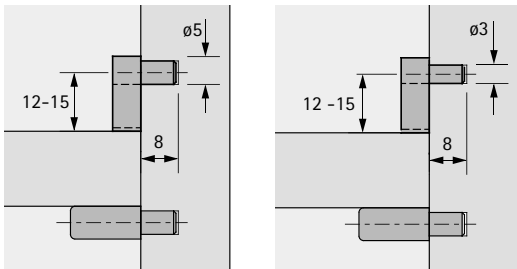
dowel	Order no.	PU
for 3 mm hole line, screw-on version	048 093	500
for 5 mm hole line, screw-on version	048 094	500
for 5 mm hole line, push-in version	013 138	500

Tungsten carbide drill bit \varnothing 15 mm
for two part shelf support with tilt prevention
Shaft 10 mm, cylindrical
For upright and hand drills only

Article	Order no.	PU
Tungsten carbide drill bit \varnothing 15 mm for two part shelf support	044 757	1

Shelf supports

Mounting example

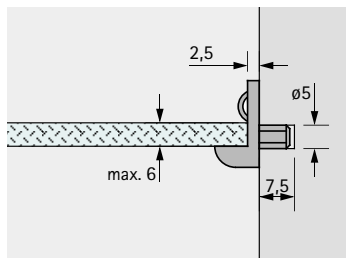


Article

Shelf studs
plastic, translucent



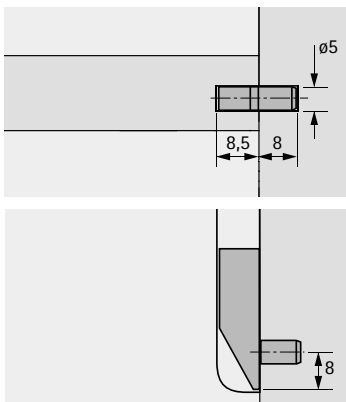
Article	Order no.	PU
Shelf studs with pin for hole diameter 3 mm	079 712	500
Shelf studs with pin for hole diameter 5 mm	063 549	500



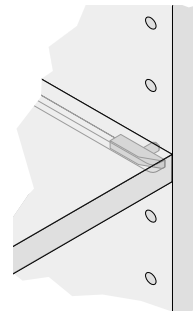
Glass shelf support
with tilt prevention
and pin for hole diameter 5 mm
plastic



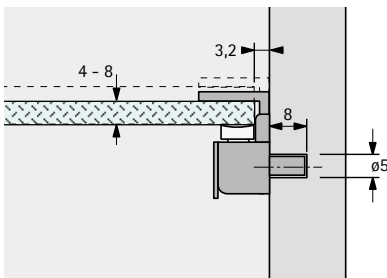
Finish	Order no.	PU
translucent	073 615	500



Shelf supports
for grooved shelves
Pin diameter 5 mm
zinc



Finish	Order no.	PU
self-colour	074 805	500

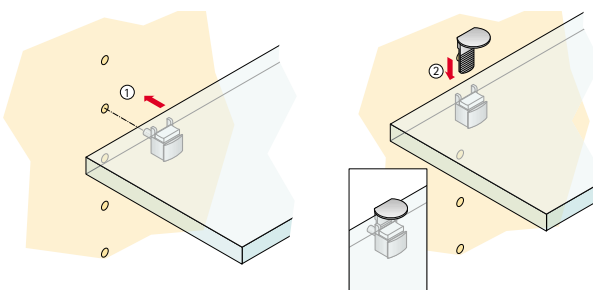


Glass shelf support
to prevent accidental removal or tilting
for 4-8 mm glass thickness
nickel-plated zinc die-cast

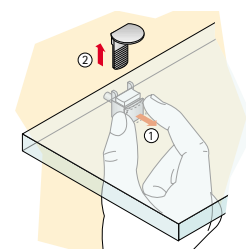


Article	Order no.	PU
Glass shelf support with tilt prevention	048 091	100

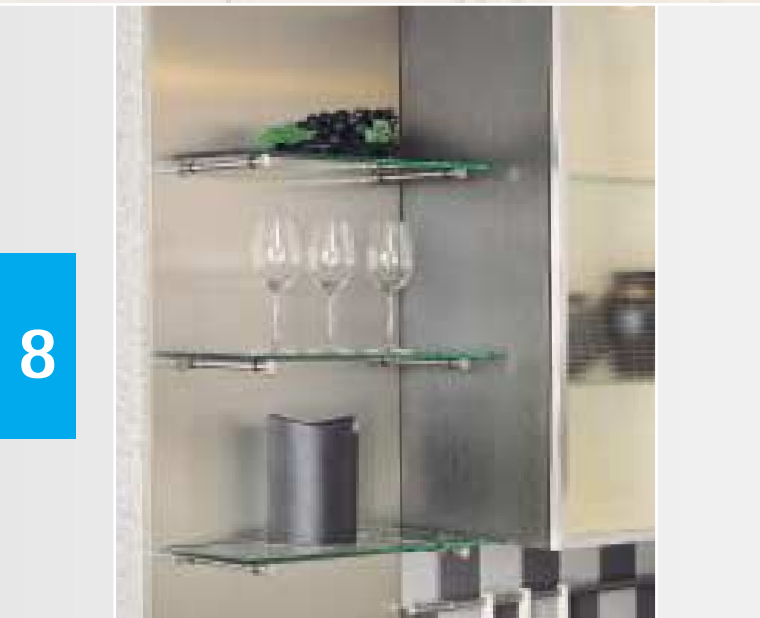
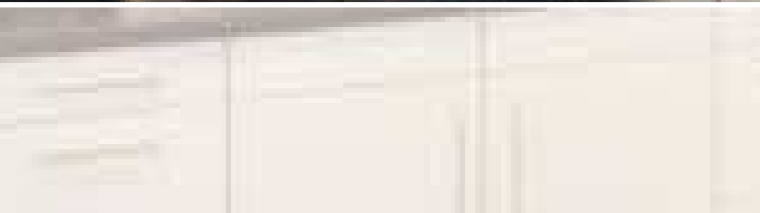
Assembly



Disassembly

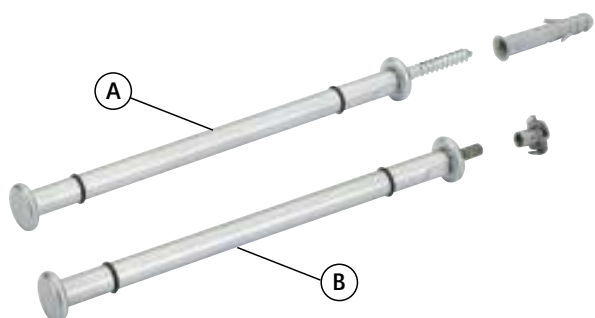


Shelf supports **Base**



- Shelf supports **Base** for glass shelves
This sturdy all-metal design is ideal for use in the kitchen, living room or bathroom area. The shelf support system is distinguished by the following features:
- Soft, quiet mounting on 2 rubber rings
 - Height adjustment of $\pm 1,5$ mm
 - Offers load-bearing capacity of 50 kg/m², assuming that load distribution is uniform

Shelf supports Base

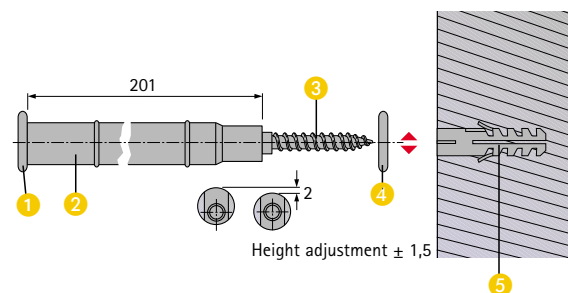
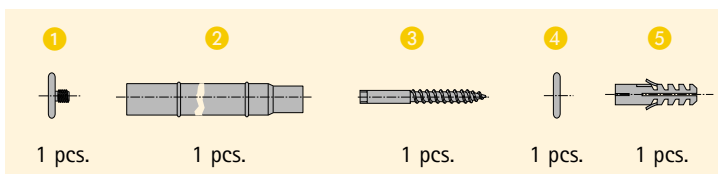


Shelf supports Base for glass shelves

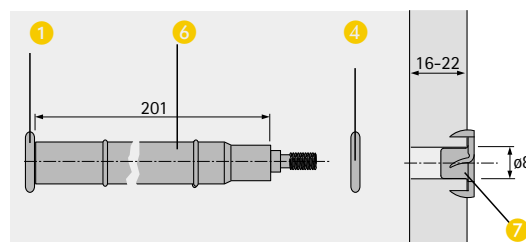
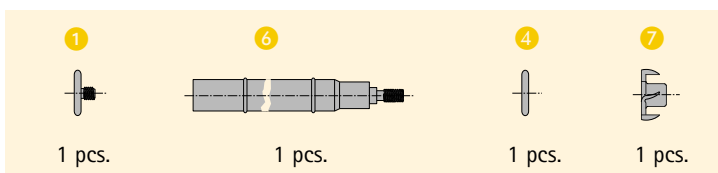
Finish	Article (A)	Article (B)
matt chrome	074 659	074 662
high-gloss gold	074 660	074 663
high-gloss chrome-plated	074 661	074 664

PU: 1 complete set

Complete set (A) includes



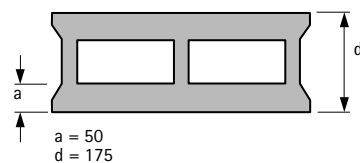
Complete set (B) includes



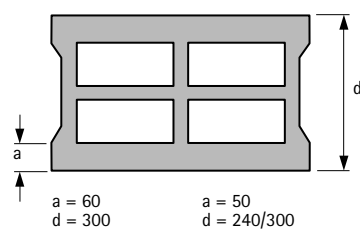
Guidelines for mounting in relation to the load-bearing capacity

- Use the enclosed dowels and screw bolts only for the illustrated types of stone blocks (X)
- With regard to other types of wall materials, use only the special mounting fixtures which are commercially available for each material

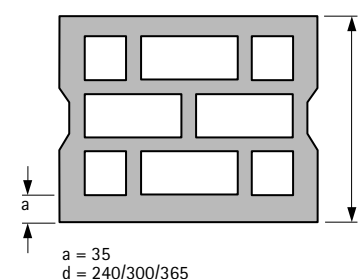
(X) 1 K Hbl



(X) 2 K Hbl



(X) 3 K Hbl



Wall structures and materials vary. If in doubt, seek professional advice.

Decorative shelf supports Sailor for shelf thickness measurements of up to 30 mm



The decorative shelf and glass shelf support system Sailor for the kitchen, bathroom, office, living room ...

- 5 finishes: high-gloss chrome, stainless steel finish, white, gold, black
- Straightforward assembly
- Versatile when combined and used with shelf materials such as wood, plastic, glass, stainless steel

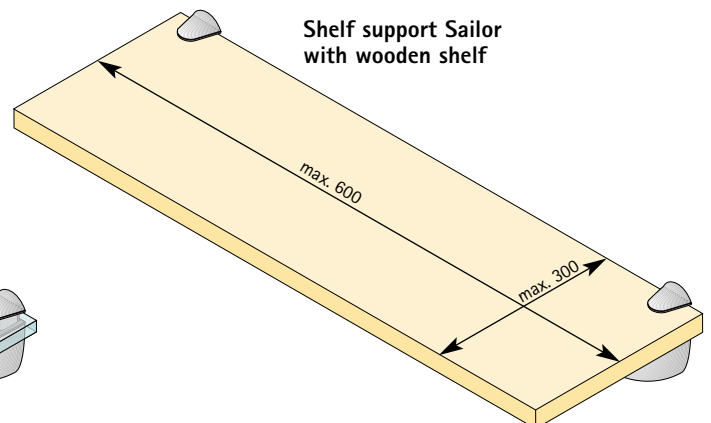
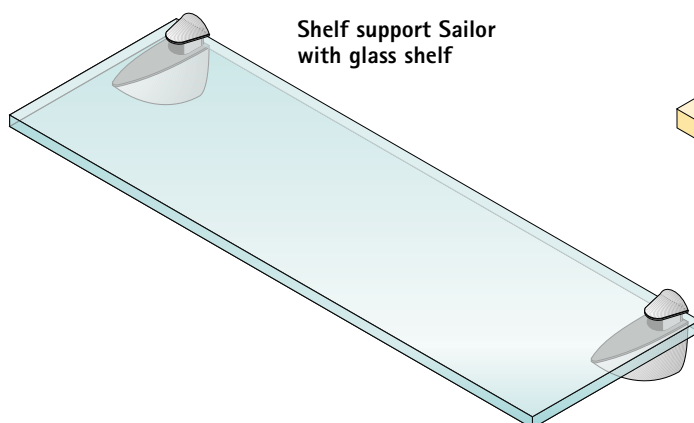
Maximum load capacity, refer to table

Decorative shelf support Sailor

Finish	① for shelf thickness measurement of 2 – 20 mm shelf depth max. 150 mm support spacing 300 mm max. loading capacity* 8 kg	② for shelf thickness measurement of 2 – 26 mm shelf depth max. 200 mm support spacing 450 mm max. loading capacity* 12 kg	③ for shelf thickness measurement of 2 – 30 mm shelf depth max. 300 mm support spacing 600 mm max. loading capacity* 18 kg	PU
high-gloss chrome	070 417	070 422	070 427	1 set
stainless steel finish	070 418	070 423	070 428	1 set
white	070 419	070 424	070 429	1 set
gold	070 420	070 425	070 430	1 set
black	070 421	070 426	070 431	1 set

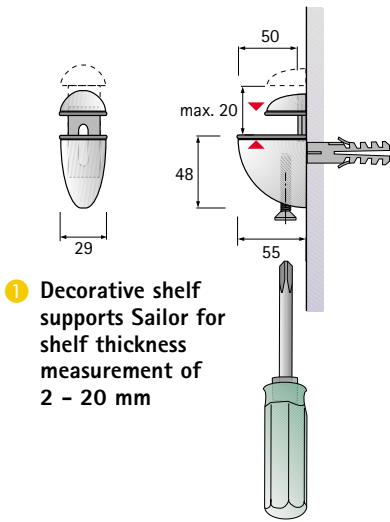
Set contains: 2 shelf supports with full set of fixing material

* Total loads are for the support spacings indicated and assume even weight distribution and wall of sufficient load-bearing capacity

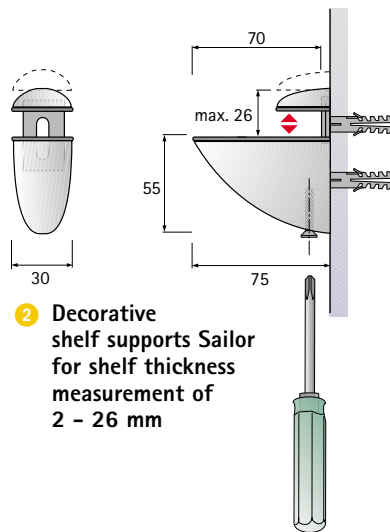


Decorative shelf supports for shelf thickness up to 30 mm thick

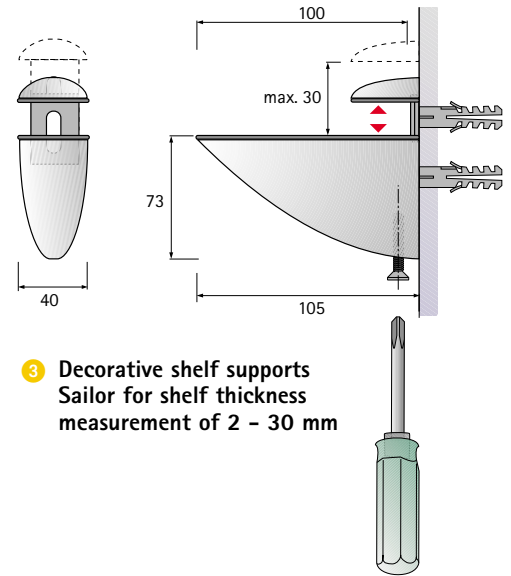
Assembly



1 Decorative shelf supports Sailor for shelf thickness measurement of 2 - 20 mm



2 Decorative shelf supports Sailor for shelf thickness measurement of 2 - 26 mm



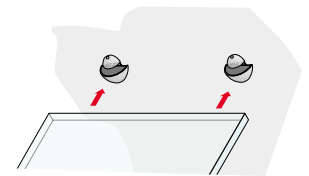
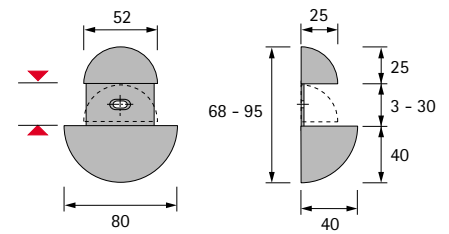
3 Decorative shelf supports Sailor for shelf thickness measurement of 2 - 30 mm



Shelf supports for kitchen, office, living room...

- 5 finishes: high-gloss chrome, stainless steel finish, aluminium finish, white, black
- Straightforward assembly
- Versatile when combined and used with shelf materials such as wood, plastic, glass, stainless steel

Maximum load capacity, refer to table



Decorative shelf supports

Finish	for shelf thickness measurement of 3 - 30 mm, shelf depth max. 210 mm Support spacing 800 mm, max. loading capacity* 18 kg	PU
high-gloss chrome	046 685	1 set
stainless steel finish	046 703	1 set
aluminium finish	046 686	1 set
white	046 687	1 set
black	046 688	1 set

Set contains: 2 shelf supports with full set of fixing material

* Total loads are for the support spacings indicated and assume even weight distribution and wall of sufficient load-bearing capacity

Guidelines for mounting in relation to the load-bearing capacity

- The wall plugs provided are **only suitable for solid material** (sand-lime brick, solid brick, concrete etc)
- With regard to other types of wall materials, use **only** the special mounting fixtures which are commercially available for each material

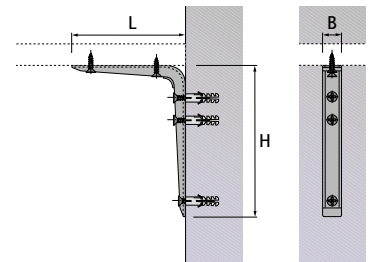
Wall structures and materials vary.
If in doubt, seek professional advice.

Steel and aluminium brackets



Bracket Profi made of sheet steel

- 3 lengths
- 5 finishes

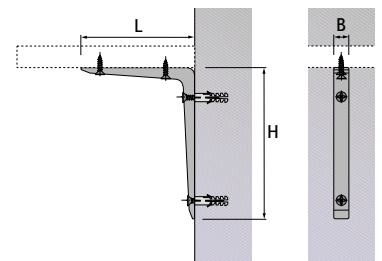


Article	Size			Load capacity* pcs	Order no. black	white	aluminium finish	blue	grey	PU
	L mm	H mm	B mm							
Bracket Profi made of sheet steel	125	150	24	18 kg	003 237	003 234	003 246	003 243	003 240	1
	150	200	27	25 kg	003 238	003 235	003 247	003 244	003 241	1
	200	250	30	35 kg	003 239	003 236	003 248	003 245	003 242	1



Bracket Light made of aluminium

- 4 lengths
- 4 finishes



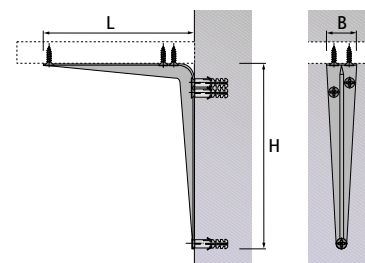
Article	Size			Load capacity* pcs	Order no. black	white	aluminium finish	brown	PU
	L mm	H mm	B mm						
Bracket Light made of aluminium	100	150	20	30 kg	003 145	001 111	046 089	001 116	1
	150	200	21	35 kg	003 146	001 112	046 091	001 117	1
	200	250	24	50 kg	003 147	001 113	046 092	001 118	1
	200	300	26	70 kg	003 148	001 114	046 093	001 119	1

Steel and wooden brackets



Bracket Standard made of sheet steel

- 6 lengths
- 4 finishes

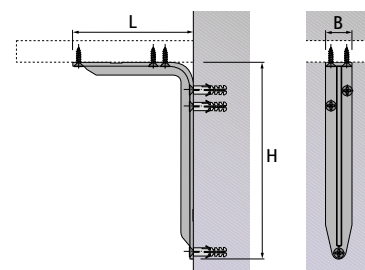


Article	Size L mm	H mm	B mm	Load capacity* pcs	Order no. black	white	aluminium finish	brown	PU
Bracket Standard made of sheet steel	100	125	36	12 kg	001 129	001 364	042 628	001 370	1
	125	150	37	16 kg	001 130	001 365	042 629	001 371	1
	150	200	39	20 kg	001 131	001 366	042 631	001 372	1
	200	250	45	24 kg	001 132	001 367	042 632	001 373	1
	250	300	47	30 kg	001 133	001 368	042 633	001 374	1
	300	350	49	34 kg	001 134	001 369	042 638	001 375	1



Bracket Classic made of sheet steel

- 4 lengths
- 3 finishes



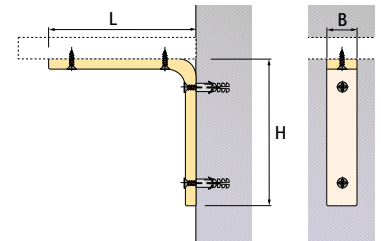
Article	Size L mm	H mm	B mm	Load capacity* pcs	Order no. black	white	aluminium finish	PU
Bracket Classic made of sheet steel	110	155	32	25 kg	003 268	003 272	046 101	1
	140	195	37	30 kg	003 269	003 273	003 264	1
	160	265	37	30 kg	003 270	003 274	046 102	1
	180	320	41	40 kg	003 271	003 275	003 265	1

*Notes to the load capacity - see page 8.107

Wooden brackets

Bracket Standard made of plywood

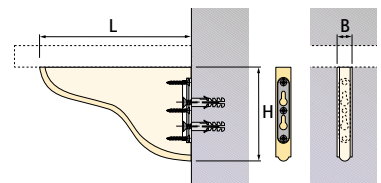
- 6 lengths



Article	Size		B mm	Load capacity*/ pcs	Order no.	PU
	L mm	H mm				
Bracket Standard made of plywood	125	150	20	20 kg	006 019	1
	175	200	20	20 kg	006 020	1
	140	140	40	36 kg	006 022	1
	170	170	40	36 kg	006 023	1
	200	200	40	36 kg	006 024	1
	280	280	40	36 kg	006 025	1

Wooden bracket

- 3 lengths
- 5 finishes



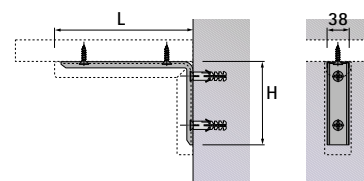
Article	Size		Load capacity* pcs	Order no.	Finish				PU
	L mm	H mm			pine, unfinished	beech, unfinished	oak, unfinished	white laquered	
Bracket made of wood	150	125	18 kg	006 150	006 156	006 159	006 174	006 177	1
	200	125	25 kg	006 151	006 157	006 160	006 175	006 178	1
	250	125	35 kg	006 152	006 158	-	-	-	1

Plastic covered steel brackets

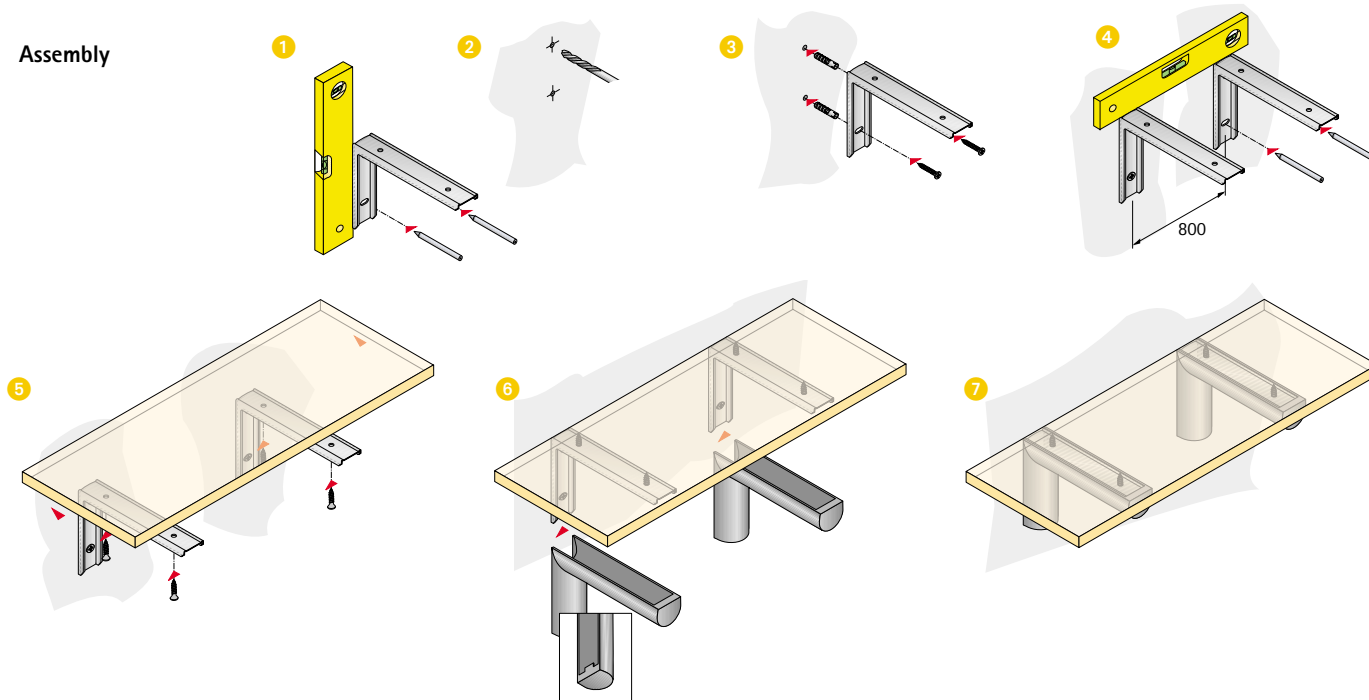


Plastic covered steel brackets

- For concealed mounting
- Zinc-plated steel
- Plastic cover, black or white



Assembly

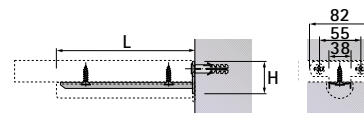


Article	Size		Load capacity* pcs	Order no. black	white	PU
	L mm	H mm				
Plastic covered steel brackets	135	90	65 kg	001 093	001 157	1
	185	124	70 kg	001 091	001 158	1
	235	155	65 kg	001 092	001 159	1



Plastic covered steel brackets

- For concealed mounting
- Zinc-plated steel
- Plastic cover, black or white



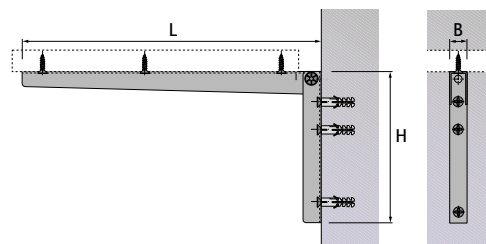
Article	Size		Load capacity* pcs	Order no. black	white	PU
	L mm	H mm				
Plastic covered steel brackets	185	82	55 kg	003 131	003 112	1
	235	82	60 kg	003 132	003 116	1

*Notes to the load capacity - see page 8.107

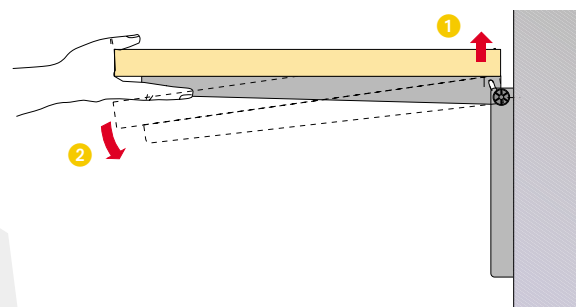
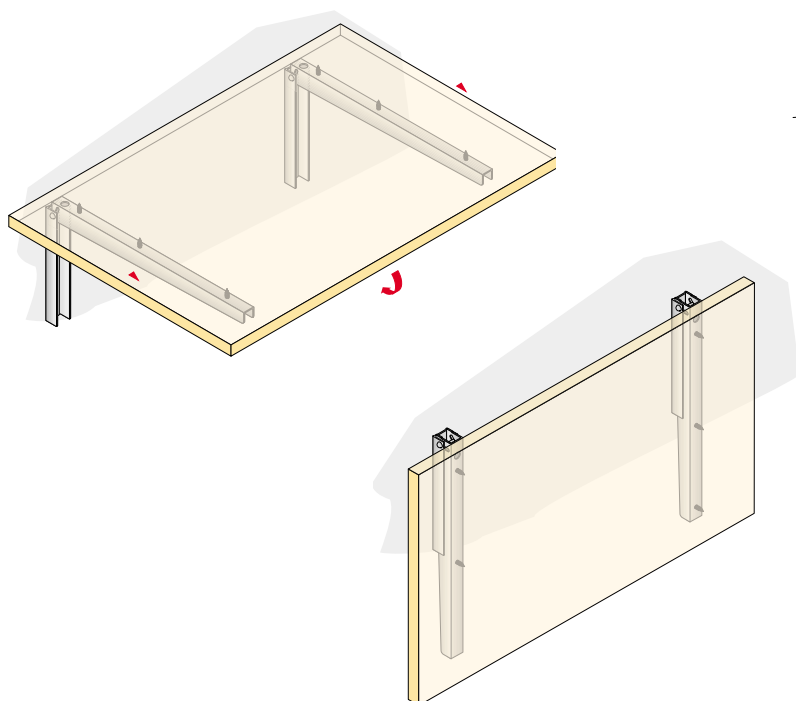
Steel folding brackets

Steel folding brackets

- Enable tables and shelves to fold down to save space in confined areas
- Zinc-plated steel

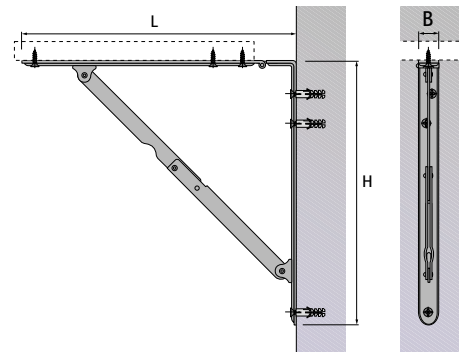


Article	Size			Load capacity* pcs	Finish	Order no.	PU
	L mm	H mm	B mm				
Steel folding bracket	380	200	28	40 kg	zinc-plated	001 252	1

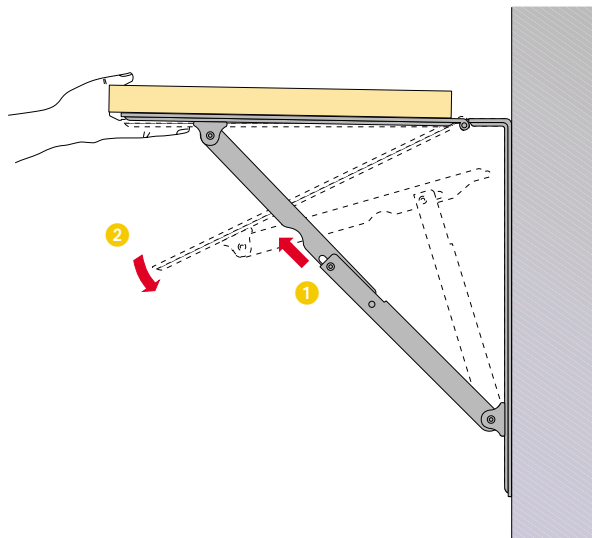


Steel folding brackets

- Enable tables and shelves to fold down to save space in confined areas
- With cross-bar to increase load capacity
- Steel, white or brown lacquered



Article	Size		Load capacity* pcs	Order no.		PU
	L mm	H mm		white	brown	
Steel folding bracket	315	310	55 kg	001 102	001 105	1
	430	410	60 kg	001 103	001 106	1



*Notes to the load capacity - see page 8.107

Aluminium folding bracket



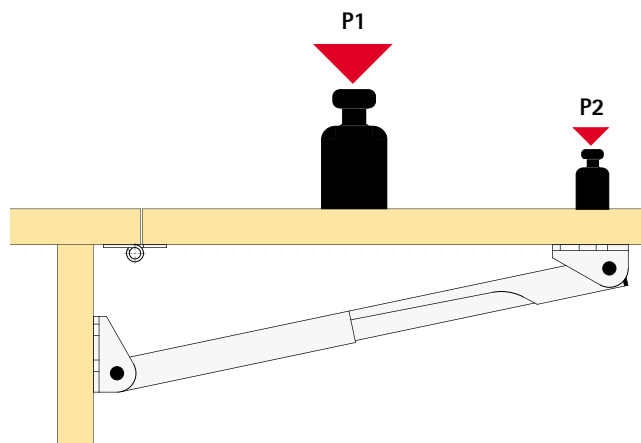
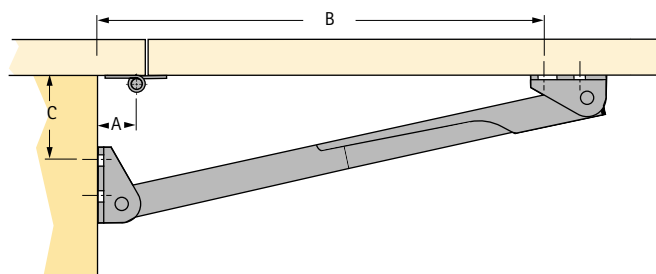
Aluminium folding bracket

High-quality aluminium table flap stay.

The space-saver. For use in caravans, boats and wherever space is at a premium.

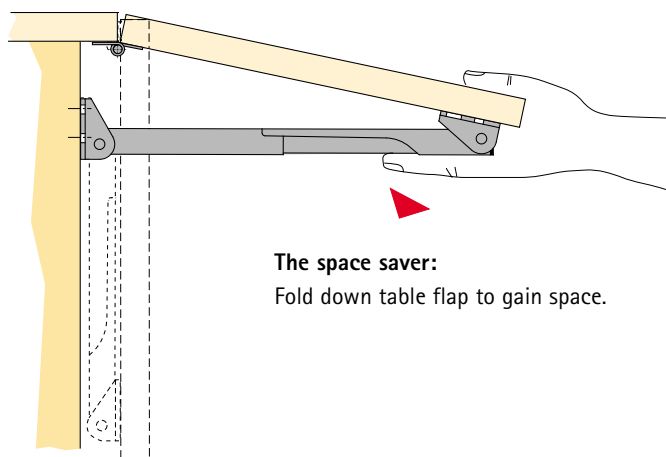
Article	Order no.	PU
Aluminium folding bracket	073 605	1
	073 606	1
	073 607	1
	073 608	1

Order no.	A mm	B mm	C mm	P1 kg	P2 kg
073 605	20-30	150	14	60	30
073 606	25-39	252	45	95	55
073 607	25-50	402	87	120	60
073 608	25-40	549	137	140	80



Simple and safe:

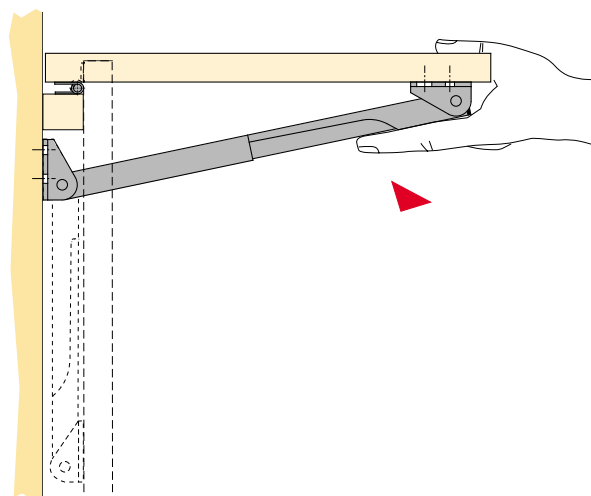
Lift the top slightly and slide the safety device over the outer section.



The space saver:
Fold down table flap to gain space.

Hinge mounting for high loads

For high loads mount the hinge on top.



Inclining brackets

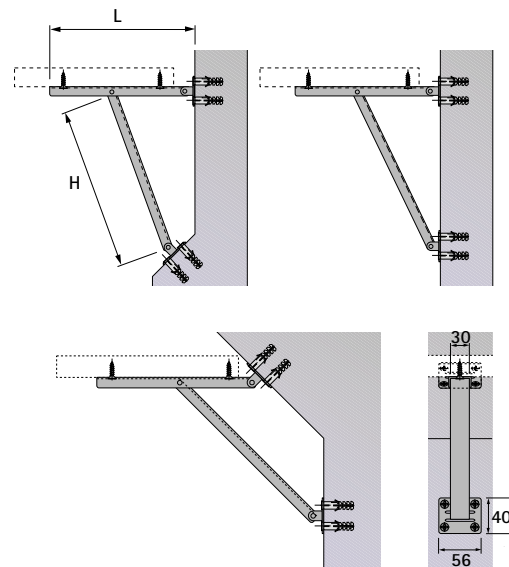
Heavy-duty brackets

made of steel



Steel inclining bracket with movable legs

- For sloping storage shelves
- For straight shelves on sloping walls
- For mounting under sloping ceilings
- Steel, powder-coated white

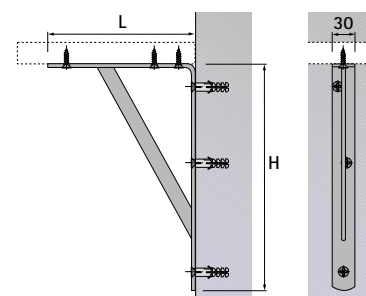


Article	Size L mm	H mm	Load capacity* pcs	Finish	Order no.	PU
Steel inclining bracket	315	385	200 kg	white	001 254	1



Heavy-duty bracket

- Zinc-plated steel or white lacquered
- For high stress tolerance: load capacity 110 kg



Article	Size L mm	H mm	Load capacity* pcs	Order no.		PU
				white	zinc-plated	
Heavy-duty bracket made of steel	210	295	110 kg	001 258	001 262	1
	270	395	110 kg	001 259	001 263	1
	330	495	110 kg	001 260	001 264	1

Notes to the load capacity!

The quoted load capacity is guaranteed if the long arm is mounted on the wall. We have no control over the material or nature of the wall, support or fastening. These should be matched to the load capacity.