

Korrekt

Kitchen legs
with **several** assembly advantages

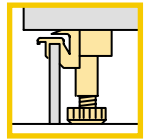


8

Height adjustable leg

Korrekt

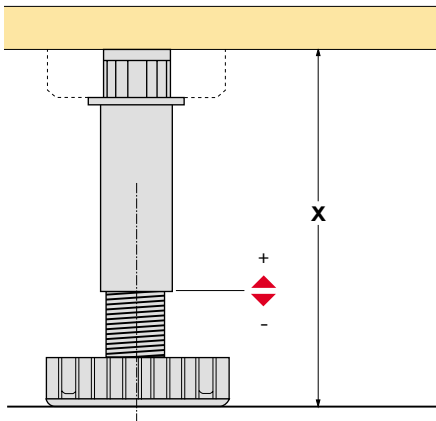
Load-bearing capacity 450 kg/each



Korrekt

..the height adjustable leg with several assembly advantages

- A perfect combination of block, leg and plinth fixing
- Ensures that the leg is securely held in place during the mounting and moving of the cabinet
- Wide foot, diameter 78 and 80 mm
- Height adjustment plus/minus is easy to operate, either manually or by using a screwdriver
- Runner clip for plinth drawers for plinth height 150 mm
- Load-bearing capacity 450 kg/each
- black plastic



Article	Plinth height Size X mm	Range of adjustment from - to mm	Footprint ø mm	Order no.	PU
Height adjustable leg Korrekt, plastic black	50 -0/+10	50 - 60	78	044 747	200
	70 -8/+16	62 - 86	78	044 748	100
	80 -6/+30	74 - 110	80	070 151	200
	100 -11/+25	89 - 125	80	061 851	100
	110 -11/+25	99 - 135	80	070 152	100
	130 -11/+25	119 - 155	80	061 852	100
	150 -11/+25	139 - 175	80	061 853	100
	150 -50/+10	100 - 160	80	020 018	100
	180 -11/+25	169 - 205	80	070 153	100



Height adjustment, manual



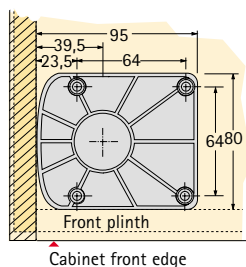
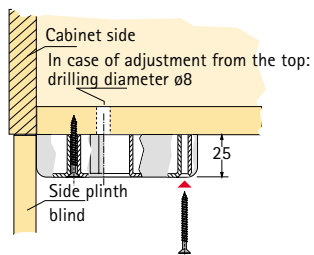
Height adjustment, from the front, with a screwdriver



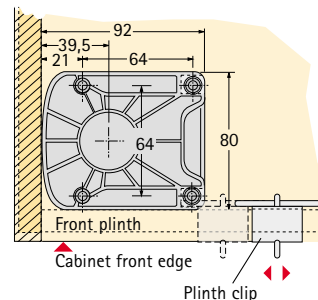
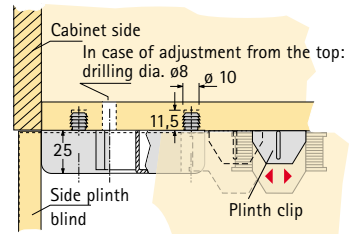
Height adjustment, from the top, with a screwdriver

Fixing block for height adjustable leg Korrekt

**Fixing block
screw-on version**
black plastic



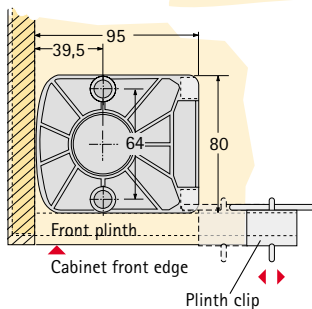
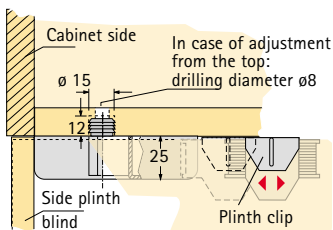
**Fixing block
with 4 knock-in sockets**
black plastic



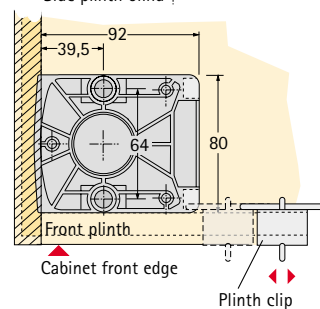
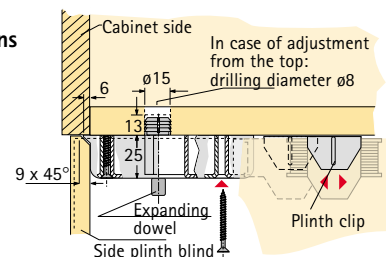
Article	Order no.	PU
Fixing block, screw-on version	061 854	200

Article	Order no.	PU
Fixing block with 4 knock-in sockets	047 654	40

**Fixing block
with 2 knock-in sockets**
black plastic



**Fixing block
with 2 expanding dowels/pins**
With wide support for
side panel
black plastic



Article	Order no.	PU
Fixing block with 2 knock-in sockets	047 655	40

Article	Order no.	PU
Fixing block with 2 expanding dowels/pins	079 689	40

8



Plinth clip for front plinth 12-16 mm
plastic, self-colour
Not for use with the screw-on type fixing block

Article	Order no.	PU
Plinth clip for front plinth 12 - 16 mm	071 849	40

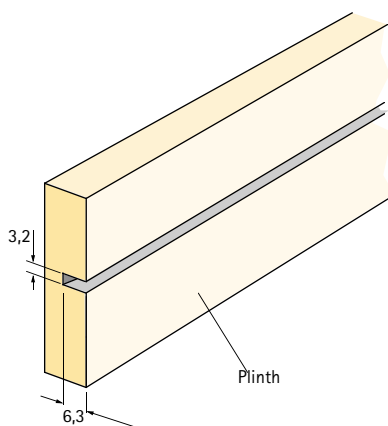
Plinth clip for height adjustable leg Korrekt Turbo-Clip

Plinth clip
for height adjustable leg Korrekt
groove version or screw-on version
plastic



Article	Order no.	PU
Clip, groove version	073 481	200
Clip, screw-on version	061 855	200

Groove dimension

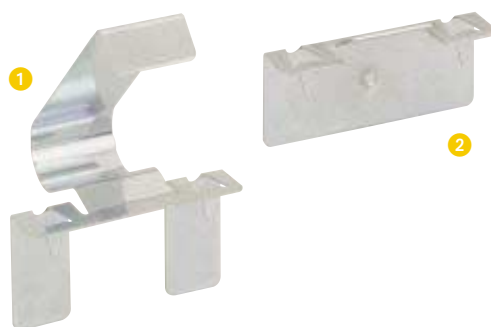


Turbo-Clip, the plinth clip
for all applications ...

- Toolless assembly
- No screws or grooves
- Constant spring tension
- Universal application

chrome plated steel

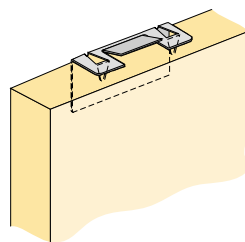
- 1 Turbo-Clip F with handle element
– for front plinths
- 2 Turbo-Clip S – for side plinths



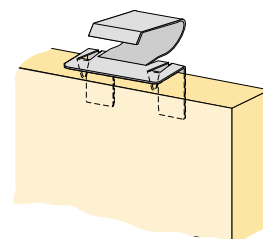
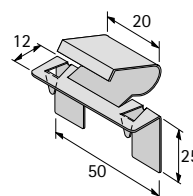
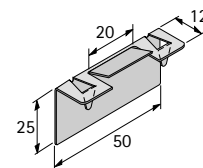
Article	Order no.	PU
1 Turbo-Clip F	079 690	20
2 Turbo-Clip S	079 691	20

Installation requirement:

- Minimum thickness of plinth **12 mm**
- **top and bottom**, plinth must rest against leg (foot and block)



Turbo Clip S –
for side panels



Turbo Clip F –
for front panels

Runner clip for height adjustable leg and FR 302/402/602 drawer runners



The runner clip can be used in combination with the height adjustable leg Korrekt and the roller runner system FR 302/402/602. Suitable for plinth height measurements of at least 150 mm black plastic

The runners are mounted to the runner clips and then clipped onto the levelling feet. During this procedure, it is important to make sure that the lower clamp of the runner clips is clicked into place on the levelling foot.

The bottom position of the drawer always remains the same even if the plinth height is adjusted.

Roller runner system **FR 302**, see group 5

Roller runner system **FR 402**, see group 5

Roller runner system **FR 602**, see group 5

Article	Order no.	PU
Runner clip for height adjustable leg Korrekt and drawer runners FR 302/402/602	070 154	20



1 Mount runners to the runner clips



2 Attach runner clip to legs.



3 The now assembled unit is knocked into the fixing blocks, with the runners facing towards the inside. The rollers must be positioned at the front.



4 Locate drawer onto runners beneath the cabinet.

Universal fixing block Planform

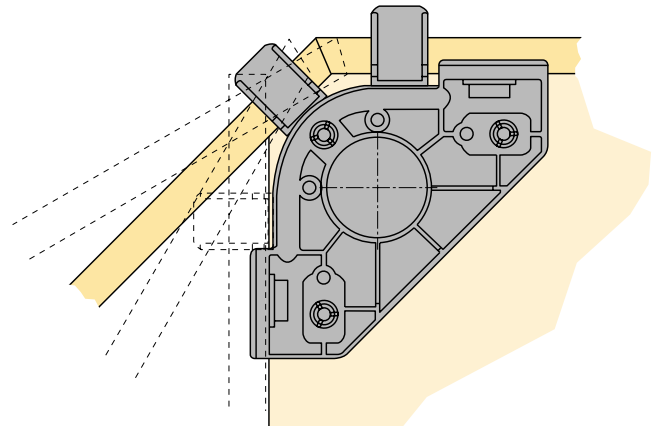
The corner solution ... in conjunction with the height adjustable leg Korrekt

Universal fixing block Planform and height adjustable leg Korrekt

The alternative system for attractive, relaxed corner fronts

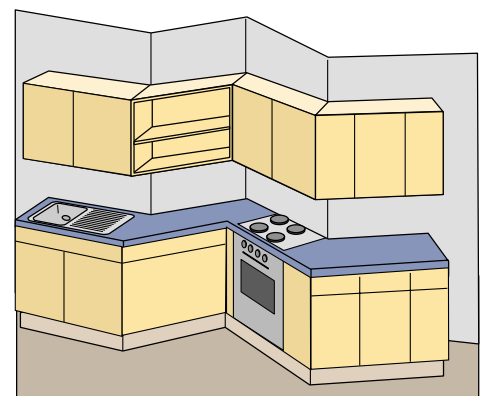
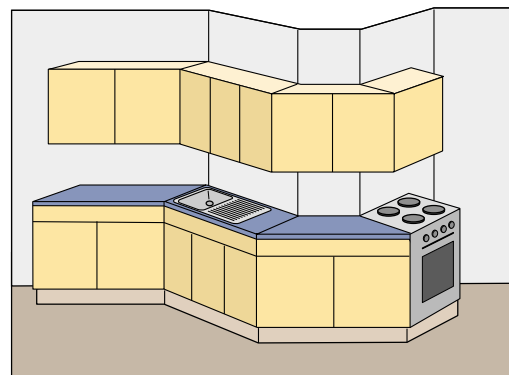
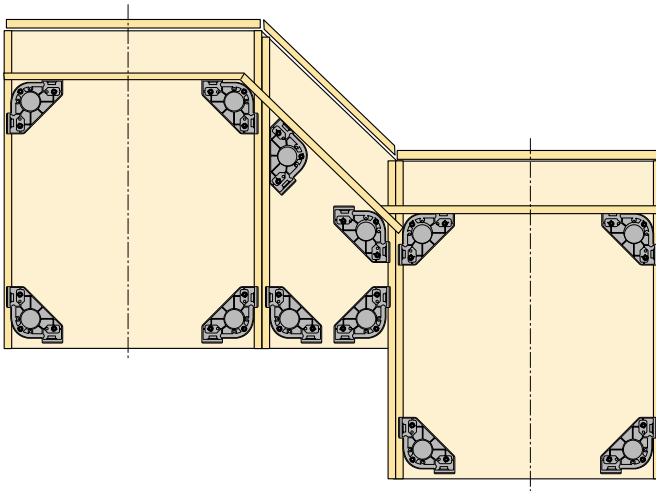
- Angled and round plinths at any angle between 90 and 150 degrees can be fastened without any problems.
- Front plinths are mounted quickly and easily, with no screws or grooves
- The stepping on the clips and fixing block presses the lip seal against the floor.
- Can be disassembled completely by pulling out the expanding pins
- Efficiently sorted for recycling

The universal fixing block Planform can only be used with the height adjustable leg Korrekt (see pages 8.68 – 8.71)



The universal fixing block Planform in combination with the height adjustable leg Korrekt ... creates freedom in modern kitchen front design

- **Planform** enables you to get round any corners between 90 and 150 degrees. Awkward corner solutions are a thing of the past.
- The glider is not visible from the front. The plinth makes a neat fit. In addition, the lip seal is pressed down. That applies, whatever the angle!
- The secret of so many possibilities is in the **stepping of the clip and fixing block**. In combination with the height adjustable leg Korrekt, **Planform** is unsurpassed - just like your design ideas.
- **Planform** can be dismantled completely and sorted for recycling.



Universal fixing block Planform

The corner solution



Universal fixing block Planform with 3 expanding pins
black plastic

Article	Order no.	PU
Planform with overlay	074 667	200
Planform without overlay	074 668	200



Universal fixing block Planform screw-on version
black plastic

Article	Order no.	PU
Planform, screw-on version with overlay	079 693	200

Clips for front plinths
plastic, self-colour



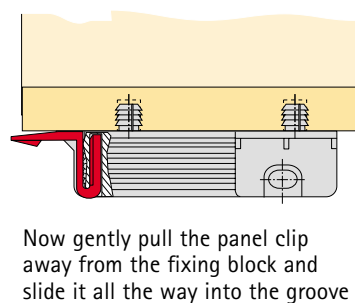
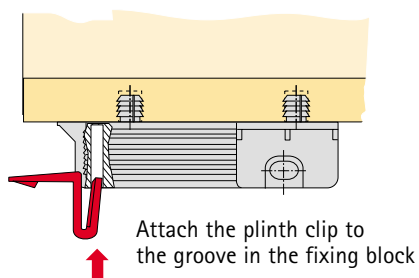
Clips for ...	Order no.	PU
13 mm front	074 669	200
16 mm front	074 670	200
19 mm front	079 694	200

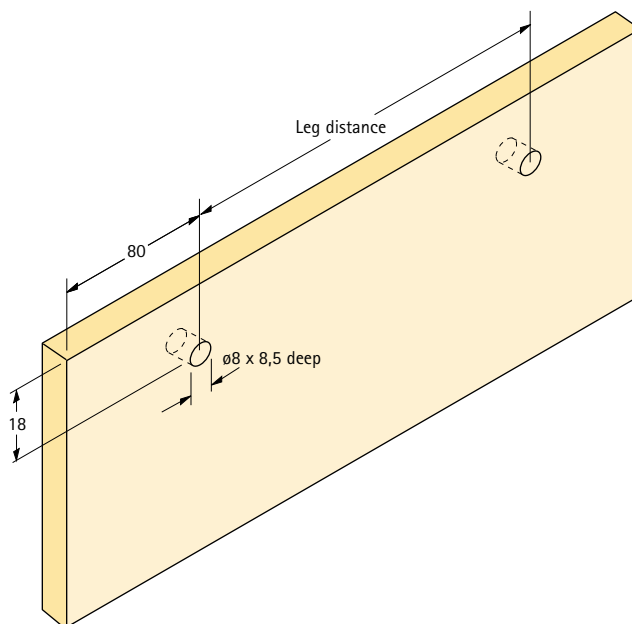
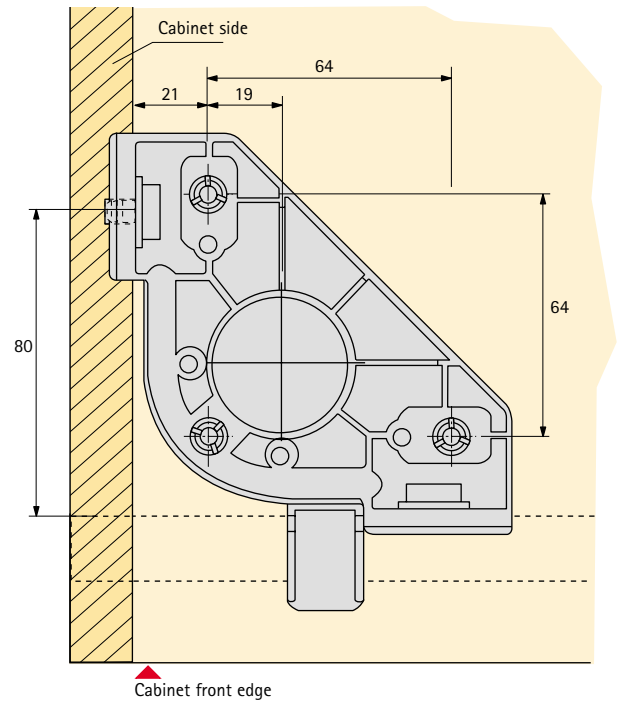
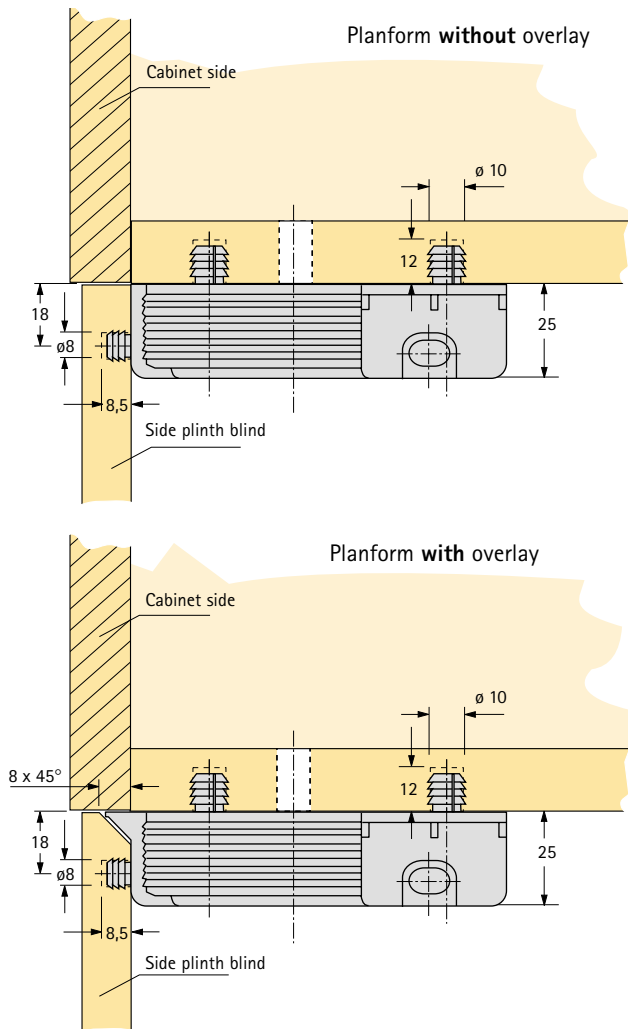
Panel dowel for fastening the side panel
The panel dowel is pressed into the Planform universal fixing block
black plastic



Article	Order no.	PU
Panel dowel	074 671	200

Clips for front plinths





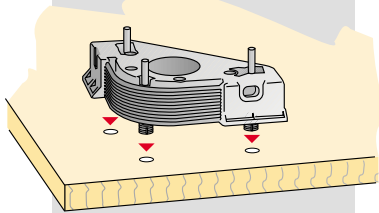
Note:

For fixing blocks with support chamfer the front panel 8 x 45° at the top

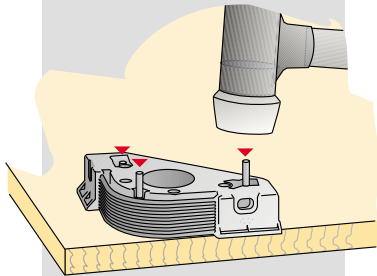
Assembly notes

Height adjustable leg Korrekt/ Universal fixing block Planform

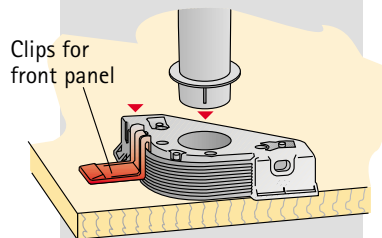
1 Universal fixing block Planform with 3 expanding pins



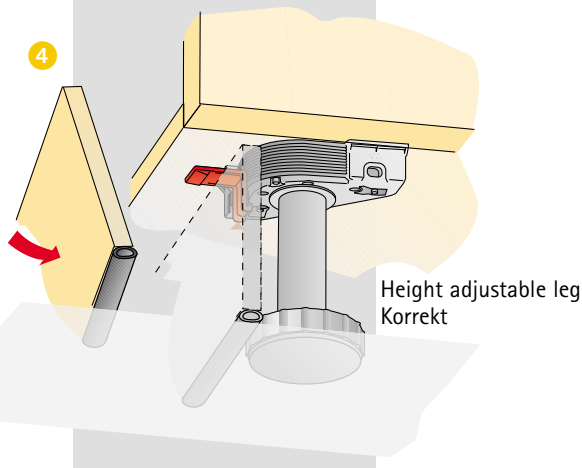
2 Push Planform universal fixing block into the hole ...



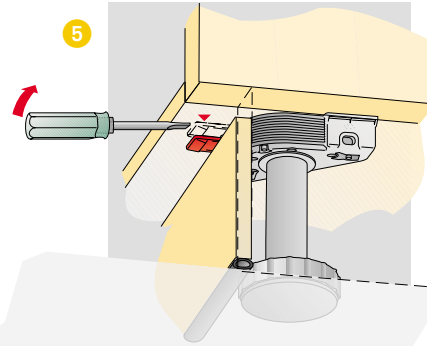
3 ... and knock in the expanding pins



4

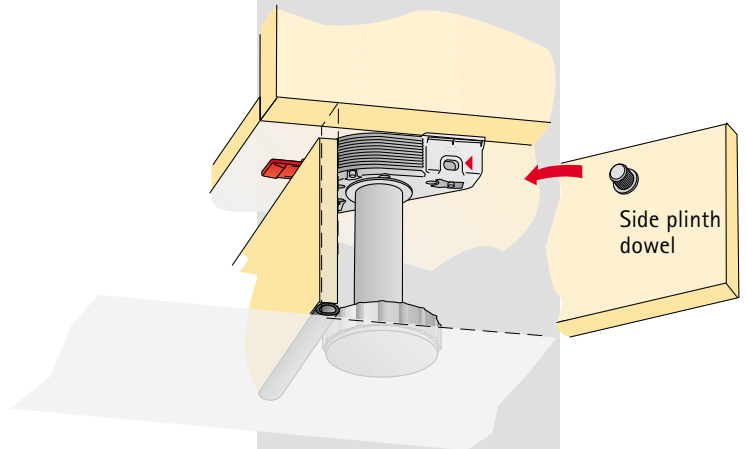


5



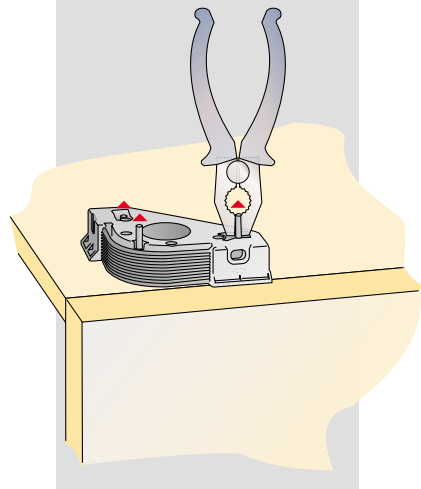
6

Side plinth fastened in place by plinth dowel



7

To dismantle the Planform universal fixing block, pull out the expanding pins



Height adjustable leg Euro

Load-bearing capacity 450 kg/each

Accessories

Height adjustable leg Euro

Perfect in combination with various fixing blocks and plinth clips. Easy to adjust, either manually or by using a screwdriver. Load-bearing capacity 450 kg/each black plastic



Adapter

Can be used in cases where height extension of 50 mm is required black plastic

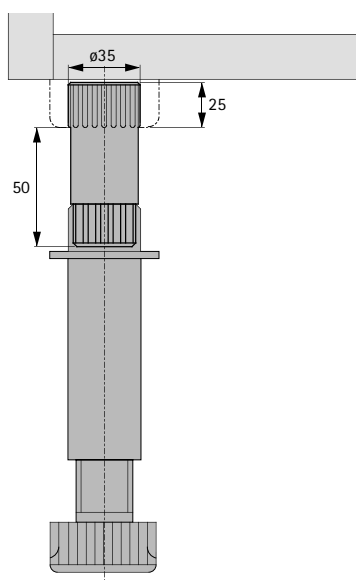
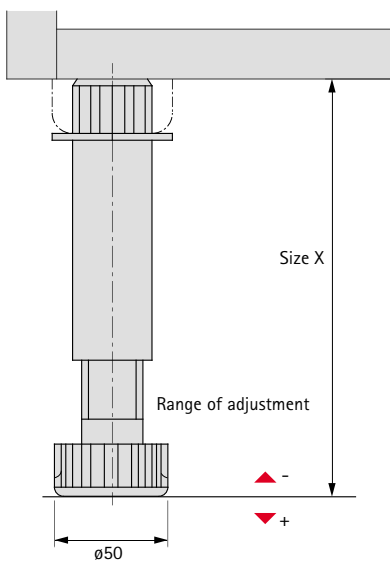


Plinth clip screw-on version

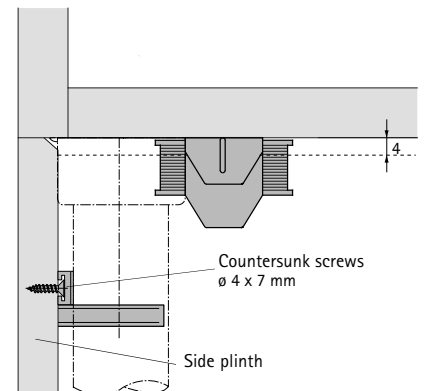
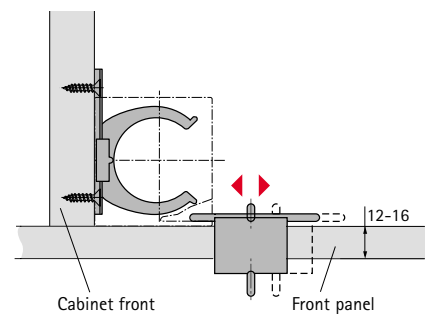
plastic, black / white



Size X	Range of adjustment	Order no.	PU	Article	Order no.	PU	Article	Order no.	PU
100 mm	- 5/+23 mm	071 840	40	Adapter	071 844	40	Plinth clip screw-on version	071 845	40
130 mm	-15/+13 mm	071 841	40						
150 mm	- 5/+23 mm	071 842	40						
180 mm	-15/+13 mm	071 843	40						



Design the front plinth so that it is 4 mm lower than the leg height



Fixing block for height adjustable leg Euro

Fixing block, screw-on version
black plastic



Fixing block, knock-in version
for hole diameter 25 mm
black plastic



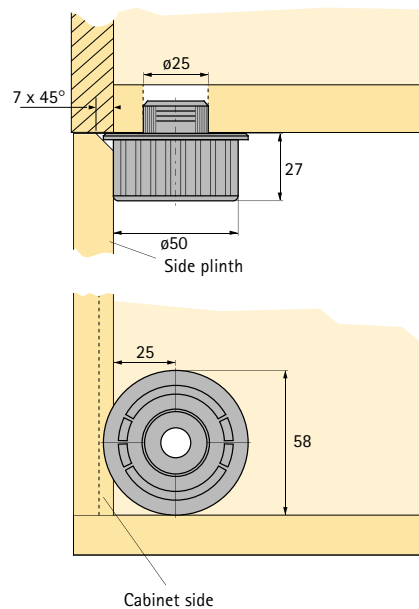
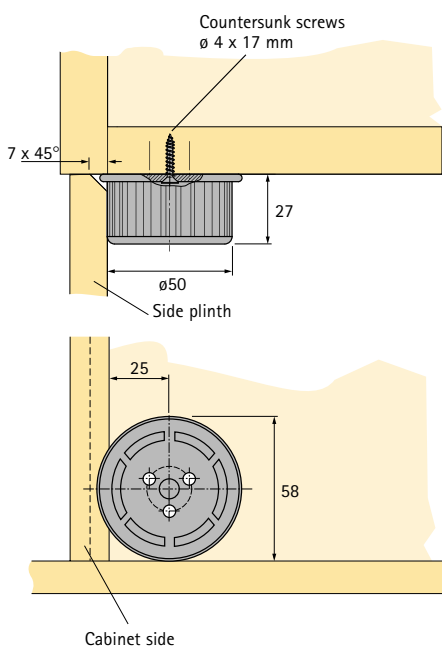
Fixing block, screw-on version
black plastic



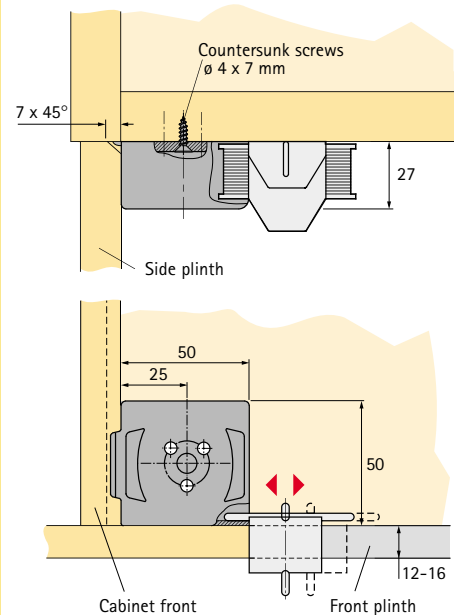
Plinth clip
for front plinths 12 - 16 mm
plastic, self-colour



Article	Order no.	PU	Article	Order no.	PU	Article	Order no.	PU
Fixing block, screw-on version	071 847	40	Fixing block, knock-in version	073 510	40	Fixing block, screw-on version	071 848	40
						Plinth clip for front plinth 12-16 mm	071 849	40



Design the front plinth so that it is
4 mm lower than the leg height



Plinth clip Turbo-Clip

Runner clip for height adjustable leg Euro and FR 302/402/602 drawer runners

Turbo-Clip, the plinth clip for all applications ...

- Toolless assembly
- No screws or grooves
- Constant spring tension
- Universal application

chrome plated steel

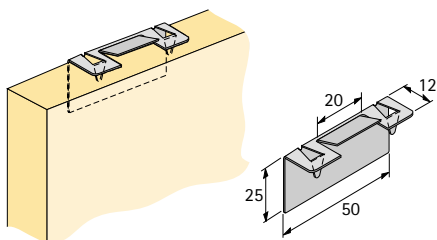
- 1 Turbo-Clip F with handle element – for front plinths
- 2 Turbo-Clip S – for side plinths



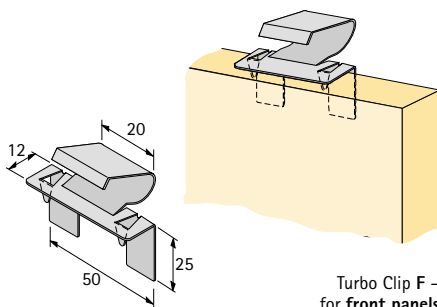
Article	Order no.	PU
1 Turbo-Clip F	079 690	20
2 Turbo-Clip S	079 691	20

Installation requirement:

- Minimum thickness of plinth 12 mm
- **top and bottom**, plinth must rest against leg (foot and block)



Turbo Clip S – for side panels



Turbo Clip F – for front panels

The runner clip can be used in combination with the height adjustable leg Euro and the roller runner system FR 302/402/602

Suitable for plinth height measurements of at least 150 mm black plastic

The runners are mounted to the runner clips and then clipped onto the levelling feet. During this procedure, it is important to make sure that the lower clamp of the runner clips is clicked into place on the levelling foot.

The bottom position of the drawer always remains the same even if the plinth height is adjusted.

- Roller runner system FR 302, see group 5
- Roller runner system FR 402, see group 5
- Roller runner system FR 602, see group 5



Article	Order no.	PU
Runner clip for height adjustable leg Euro and drawer runners FR 302/402/602	073 630	20



1 Mount runners to the runner clips



2 ... Attach runner clip to legs.



3 The now assembled unit is knocked into the fixing blocks, with the runners facing towards the inside. The rollers must be positioned at the front.



4 Locate drawer onto runners beneath the cabinet.

Height adjustable leg InnoTech with plinth drawer mounting



Height adjustable leg with plinth drawer mounting

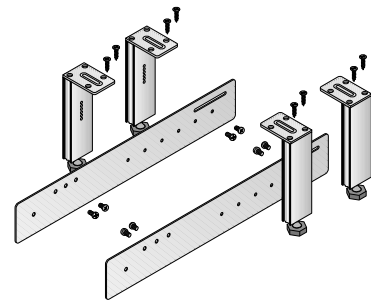
Plinth height mm	Range of adjustment mm	Order no.	PU
150	-5/+22	013 297	1 set
170	-5/+22	013 298	1 set
200	-5/+22	013 299	1 set

Height adjustable leg InnoTech with plinth drawer mounting

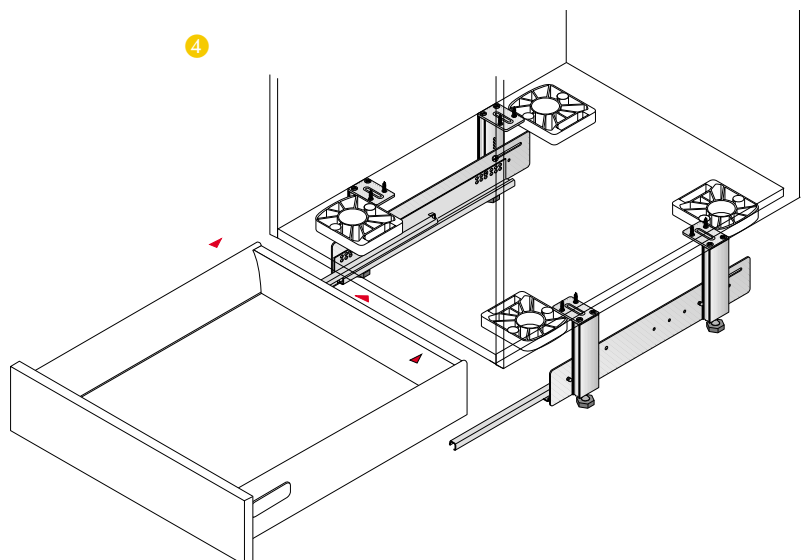
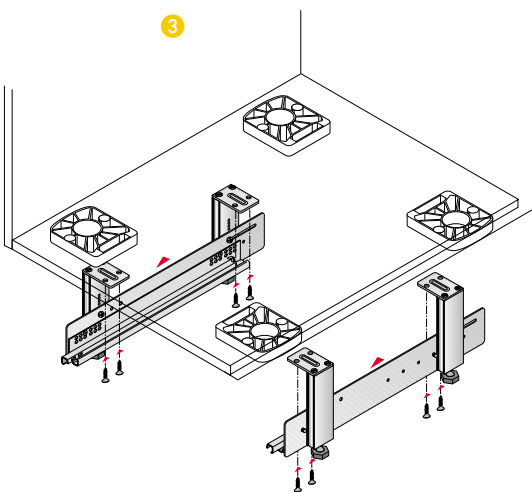
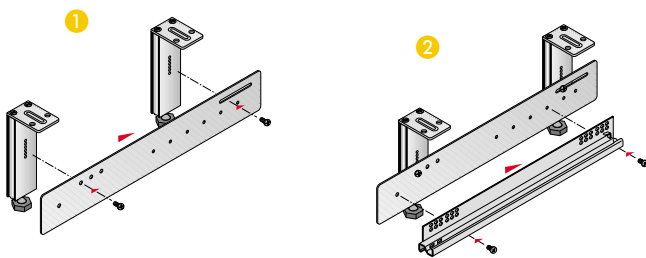
- Perfect combination of height adjustable leg and plinth drawer mounting (e.g. InnoTech)
- Suitable for leg height measurements of at least 150 mm
- Range of adjustment -5/+22 mm
- Simple manual plus/minus height adjustment
- Parallelism of plinth drawer and cabinet above it
- Runner can be retrofitted
- Installation height variable in 5 mm increments
- Can be installed between all cabinets, even when adjacent unit is a corner unit or oven unit
- Aluminium profile can be reduced in length

Set contains:

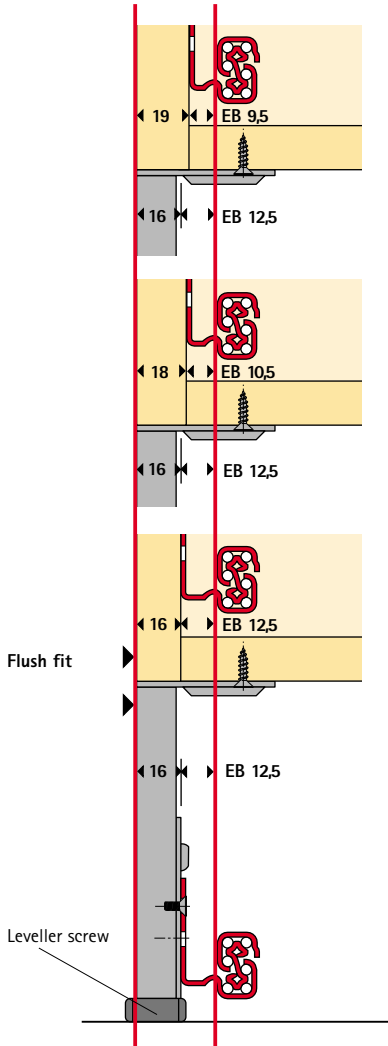
- 4 legs, aluminium self colour
- 2 runners, steel
- 8 countersunk screws, \varnothing 4 mm
- 4 screws \varnothing 4,2 x 9,5 DIN 7981, for fixing the runner
- 4 screws \varnothing 4,8 x 9,5 DIN 7982, for fixing the runner (e.g. Quadro)



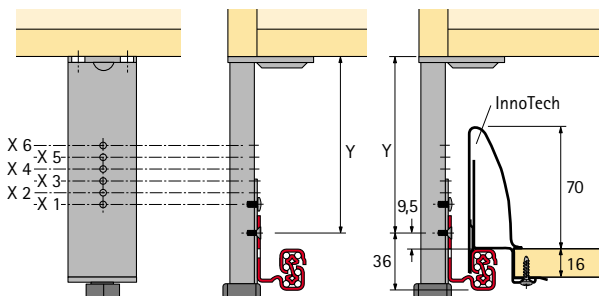
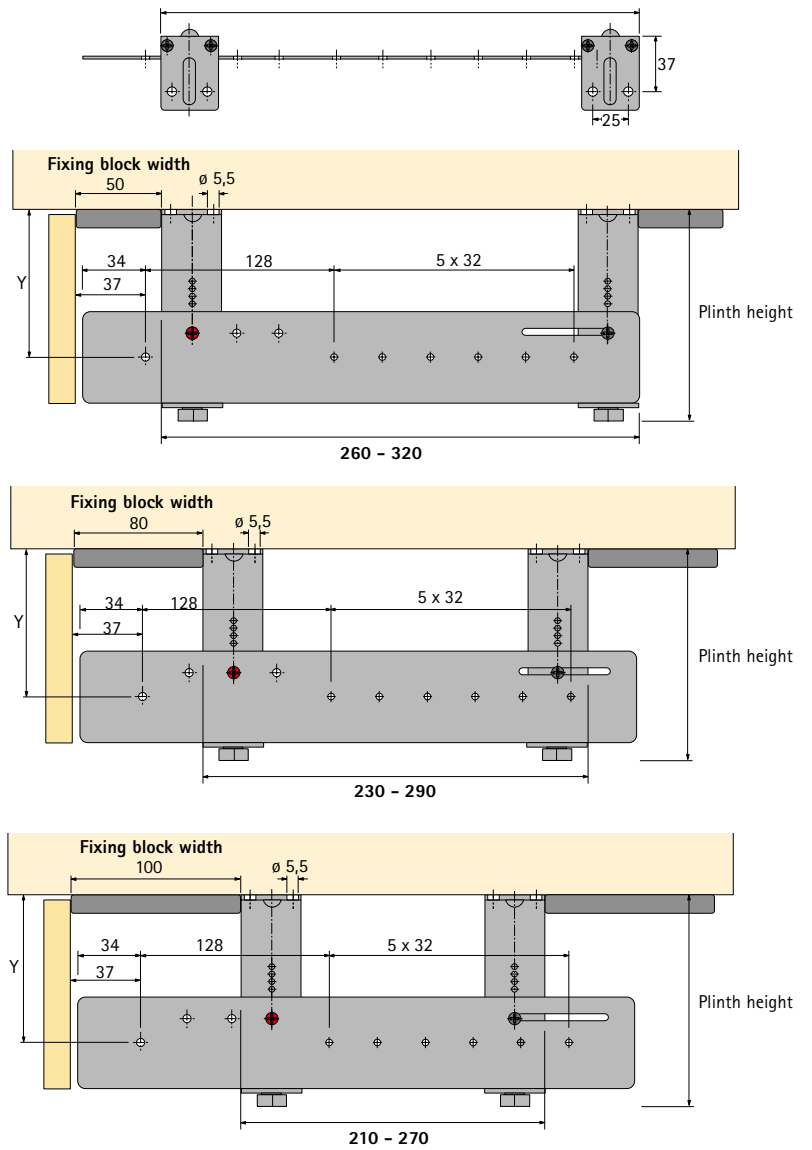
Assembly



Installation depending on cabinet panel thickness used and Quadro installation width EB



Installation depending on fixing block width used 50/80/100 mm



Fixing point	Dimension Y		
	Plinth height 150 mm	Plinth height 170 mm	Plinth height 200 mm
X 6	78,5	98,5	128,5
X 5	83,5	103,5	133,5
X 4	88,5	108,5	138,5
X 3	93,5	113,5	143,5
X 2	98,5	118,5	148,5
X 1	103,5	123,5	153,5

Adjusting foot Milano

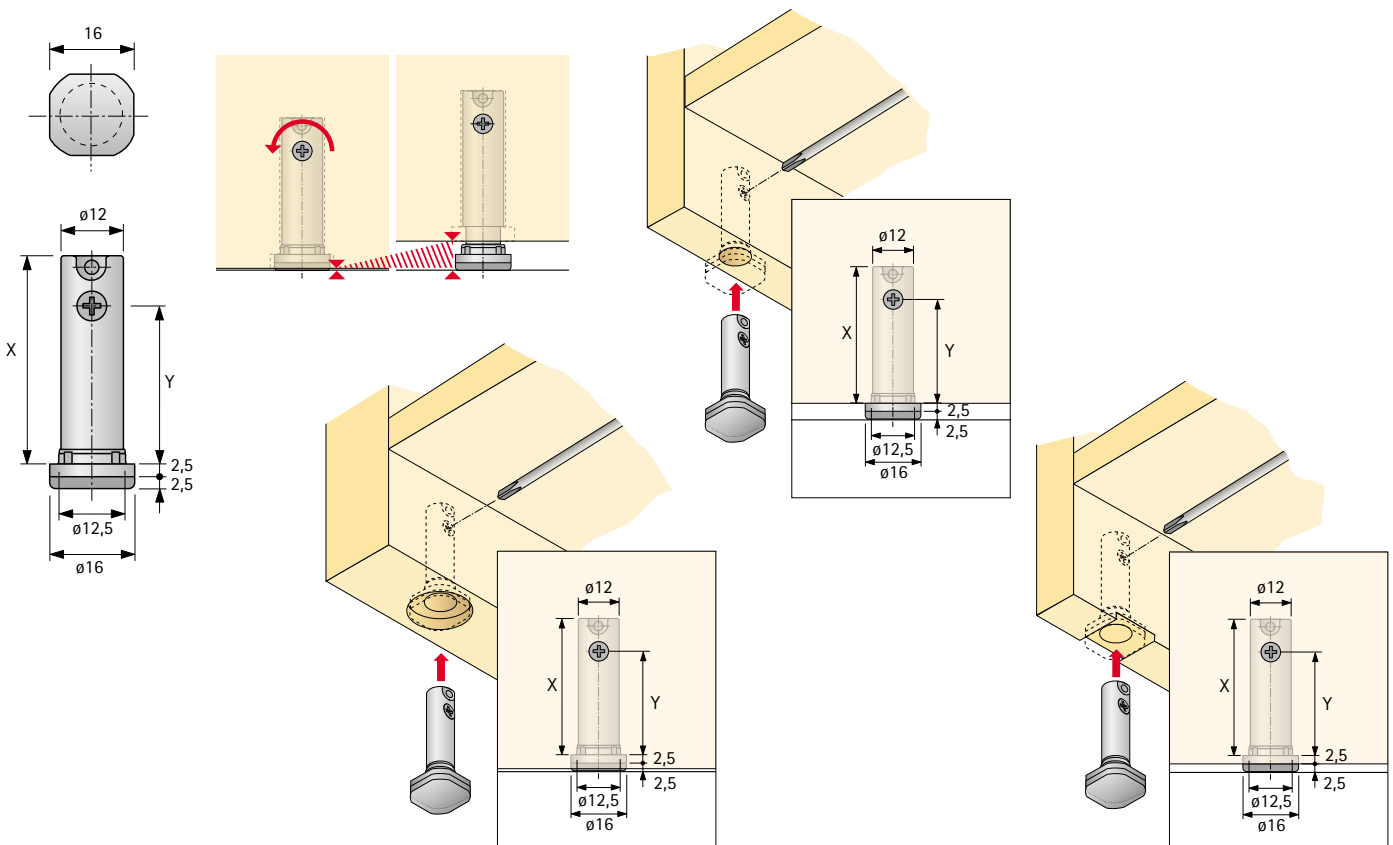


Adjusting foot Milano

- Height adjustable legs for side thickness from 16 mm
 - Easy height adjustment using a screwdriver
 - Drilling diameter 12 mm
 - 6 different heights
 - Load-bearing capacity 350 kg/each
- zinc die-cast, self colour

Article	Range of adjustment X mm	Size Y mm	Order no.	PU
Adjusting foot Milano	42 - 62	32	048 083	100
	62 - 87	52	048 084	100
	80 - 120	70	048 085	100
	110 - 150	100	048 086	100
	130 - 170	120	048 087	100
	150 - 190	140	048 088	100

Assembly



Height adjustable leg Vista



Height adjustable leg Vista

- Decorative, visible leg designed for modern furniture without plinths
- Concealed function, yet simple to adjust
- Fixing block, screw-on version
- Straightforward assembly
- Height can be adjusted easily, either manually or with the use of a screw driver
- Completely recyclable, as all parts originate from one type of material

Height adjustable leg Vista, plastic

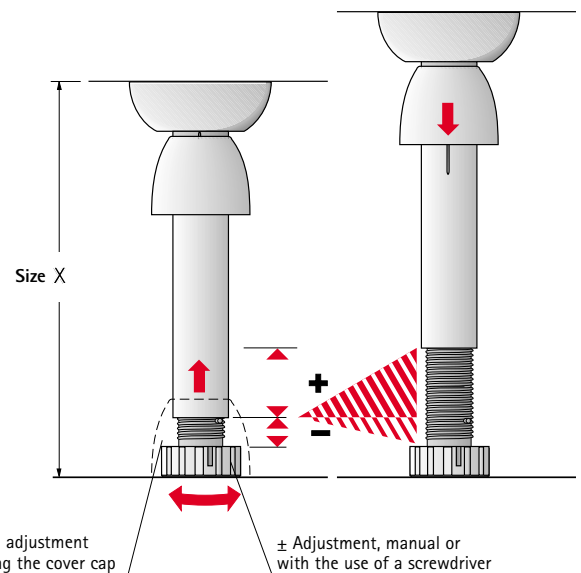
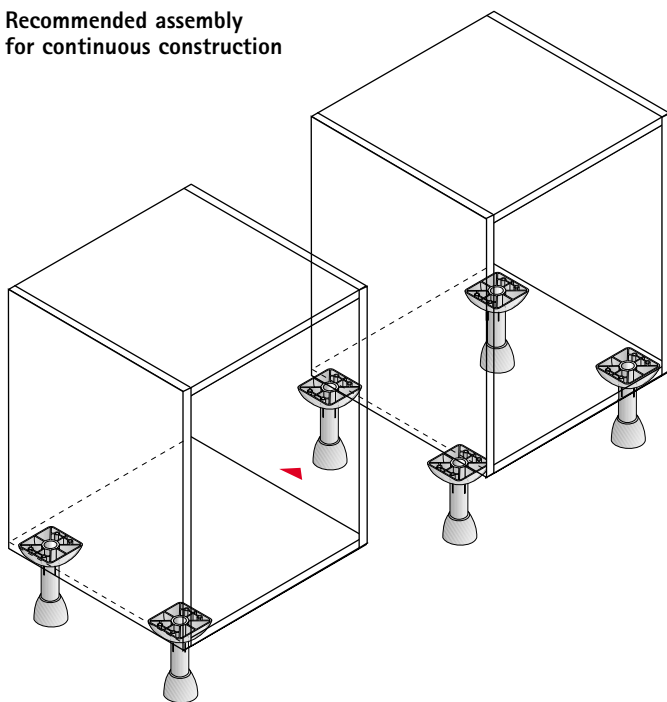
Size X mm	Range of adjustment mm	Finish	Order no.	PU
100	- 5/+15	silver-grey	079 696	40
150	- 5/+15	silver-grey	079 697	40
200	-15/+10	silver-grey	079 698	40

Fixing block, screw-on version

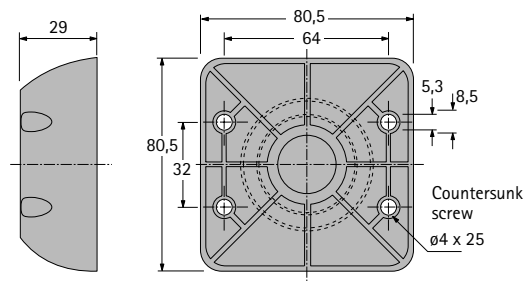
for height adjustable leg Vista, plastic

Finish	Order no.	PU
silver-grey	079 699	40

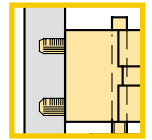
Recommended assembly for continuous construction



Fixing block, screw-on version



Leveller SYSTEMA TOP 2000 for office furniture Load-bearing capacity 300 kg/each



Leveller SYSTEMA TOP 2000



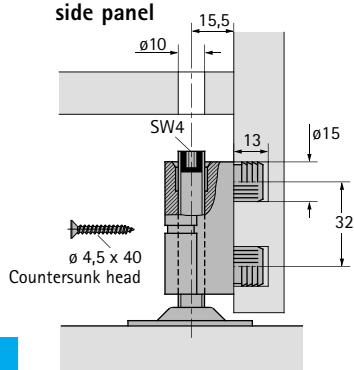
- For cabinets which have a plinth height of at least 60 mm, a continuous side panel or a separate plinth.
- Especially suitable for office furniture, as storage wall construction in particular.
- Range of adjustment from **60 – 80 mm** or from **80 – 120 mm**. The adjustment can be carried out from inside the cabinet (Allen SW 4).
- **Efficient assembly in System 32 in combination with connecting fittings.**
- The adjustment can be carried out through the connecting fitting. Diagram, see page 8.28.
- The plinth clip is designed to work with a hole line distance of 37 mm from the carcass edge.
For the mounting of the clip, the position of the groove in the front plinth is fixed in the middle section of the housing. However, the housing offers height adjustment, see drawing (A).

Article	Order no.	PU
Leveller Systema Top 2000 for cabinet side panel Socket length 12,8 mm		
Range of adjustment from 60 – 80 mm steel/	040 438	100
80 – 120 mm white plastic	047 647	100
Leveller SYSTEMA TOP 2000 for centre panel Socket length 9 mm		
Range of adjustment from 60 – 80 mm steel/	040 439	100
80 – 120 mm white plastic	047 648	100

- The leveller offers such a high level of load-bearing capacity that it meets the standard specifications for office furniture according to DIN 68874 L125.
- The direct spindle guide in the housing allows a stable positioning of the furniture.
- A wide bearing surface is provided through the foot diameter of 45 mm.
- The leveller is **symmetrical** and can therefore be used both right and left.

50 plinth clips are enclosed in each packing unit (PU).

Leveller for cabinet side panel



Leveller for cabinet side panel

Socket length 12,8 mm

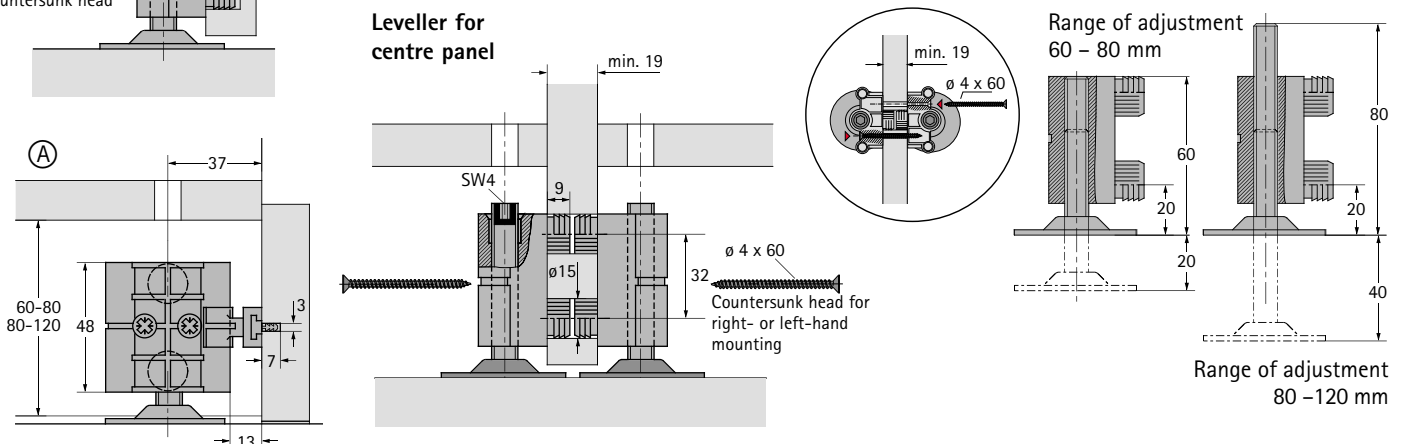


Leveller for centre panel

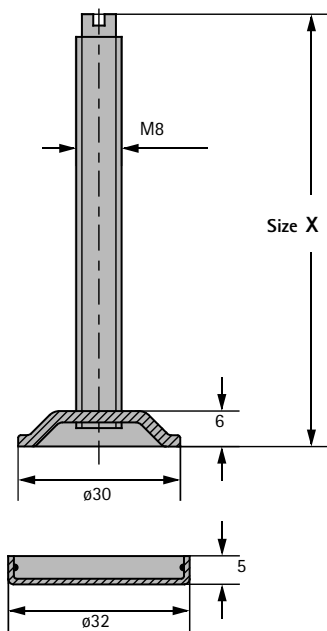
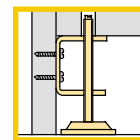
Socket length 9 mm



Leveller for centre panel



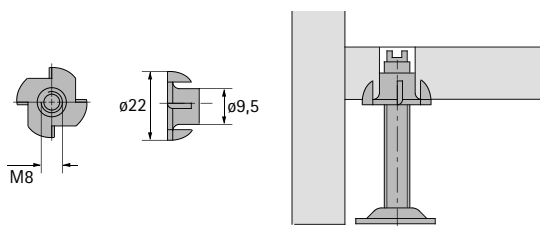
Leveller screws with accessories



Leveller screw M 8
with foot cap
chrome plated steel / plastic, self colour



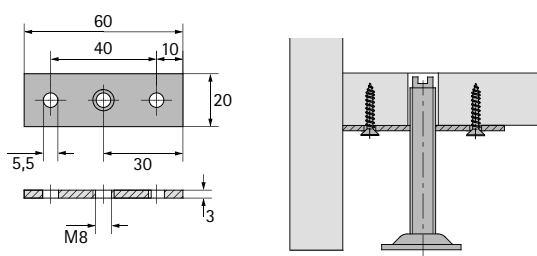
Size X mm	Order no.	PU
50	047 637	50
60	047 638	50
70	047 639	50
80	047 640	50
100	047 642	50



T-nut M 8
steel self colour



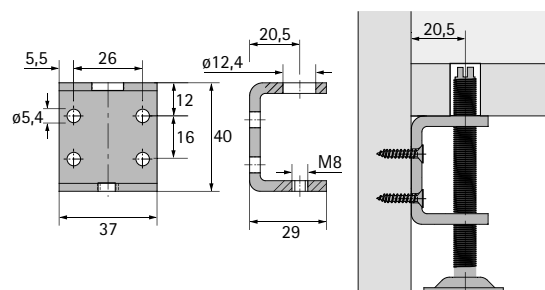
Article	Order no.	PU
T-nut	047 643	50



Supporting plate M 8
chromated steel



Article	Order no.	PU
Supporting plate	047 645	50



Metal bracket M 8
chromated steel

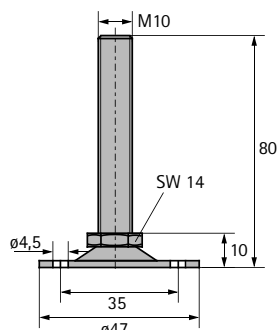


Article	Order no.	PU
Metal bracket	047 644	50
Metal bracket	071 870	500

Leveller screws

Tube cap

Adjustment fitting for cabinets with blind panels

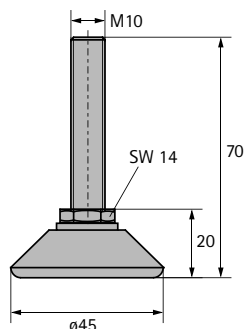


Leveller screw M 10

For the alignment of furniture, shelves, room dividers and dividing walls. With adjustment nut and steel foot chromated steel



Article	Order no.	PU
Leveller screw 80 mm	025 166	50

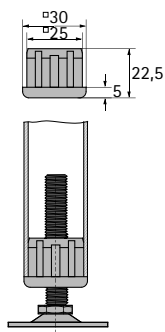


Leveller screw M 10

For the alignment of furniture, shelves, room dividers and dividing walls. With adjustment nut and impact-resistant plastic foot chrome plated steel / plastic, black



Article	Order no.	PU
Leveller screw 70 mm	047 646	50

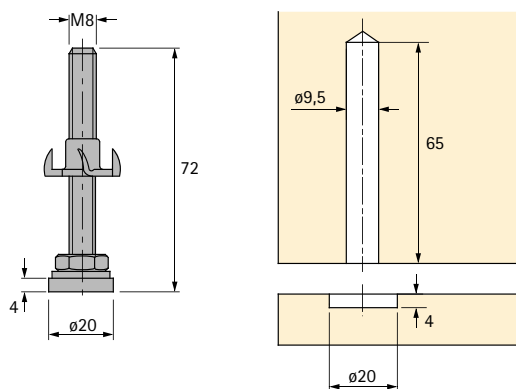


Tube cap M 10

For rectangular tubes 30 x 30 x 2,5 mm die-cast zinc



Article	Order no.	PU
Tube cap	025 170	50



Adjustment fitting for cabinets with blind panels

The fitting makes it possible to tighten and horizontally align a corner cabinet with blind panel between the floor and ceiling. chromated steel



Article	Order no.	PU
Adjustment fitting complete	031 571	20

Tungsten carbide drill bit \varnothing 20 mm for adjustment fitting
Shaft 10 mm, cylindrical
For upright and hand drills only

Article	Order no.	PU
Tungsten carbide drill bit \varnothing 20 mm for adjustment fitting	046 077	1