

SYSTEMA TOP 2000

Cupboard locking mechanism set

Cupboard locking mechanism set

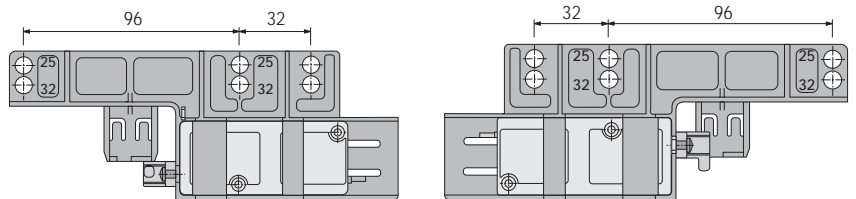
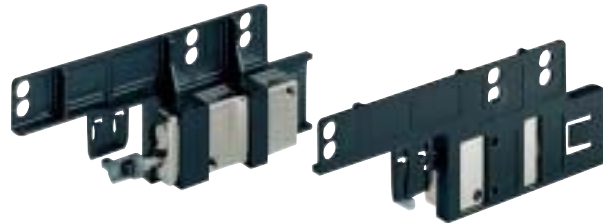
for locking

- cupboards with two-sided locking system STOP-CONTROL PLUS

For use with the hettlock controller, connected via a lead.

Controller and connecting lead, see page 17.

All other parts for cupboards can be freely selected from the SYSTEMA TOP 2000 and STOP-CONTROL PLUS ranges – see catalogue Fittings & Applications, Group 6.

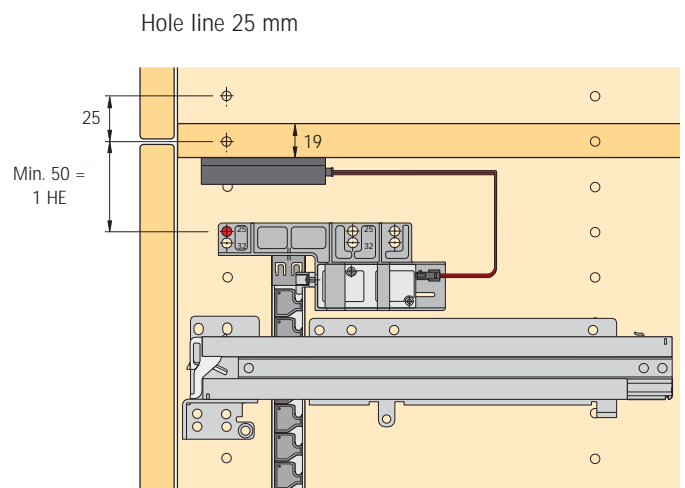
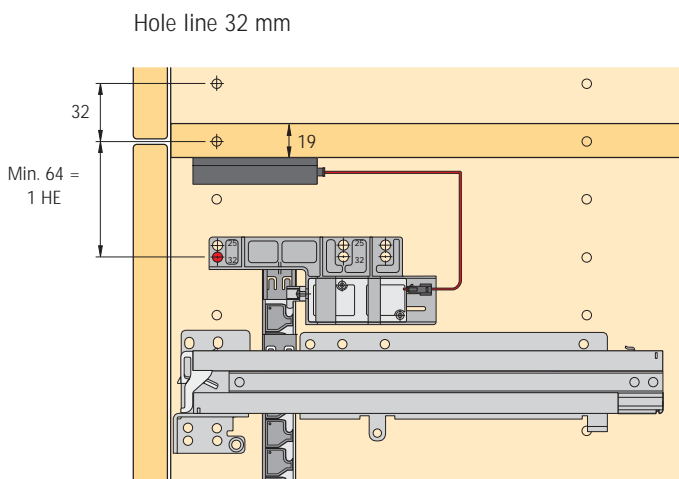


Preassembled set contains:

- 2 pin locking mechanisms
- 2 catch hooks, left / right
- 2 lock connectors for two-sided locking system STOP-CONTROL PLUS for cupboards, left/right

Article	Finish	Order No.	PU
Cupboards locking mechanism set	nickel-plated/ black	041 218	1 set

Installation



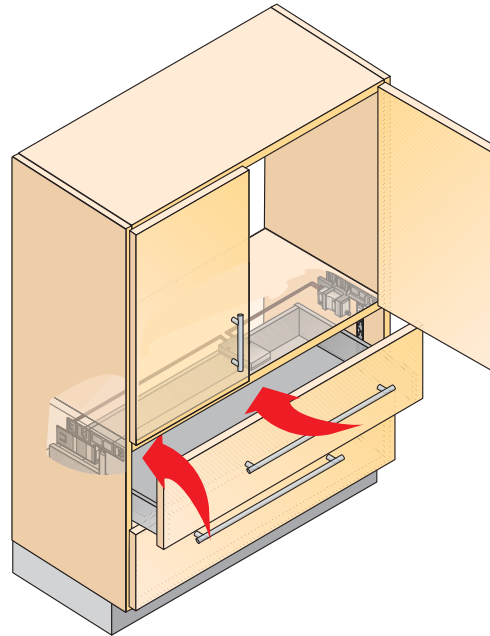
Specification
hettlock cupboard locking mechanism

Preassembled units of STOP-CONTROL PLUS lock connectors and hettlock locking mechanisms for two-sided locking system on both sides in cupboards with central STOP-CONTROL PLUS lock.

For locking
• cupboards

For use with controllers for the digital hettlock furniture locking system.

Positioning



Assembly

