

hettlock

Latch locking mechanism set

Latch locking mechanism set

for locking

- single hinged doors
- flaps
- drawers

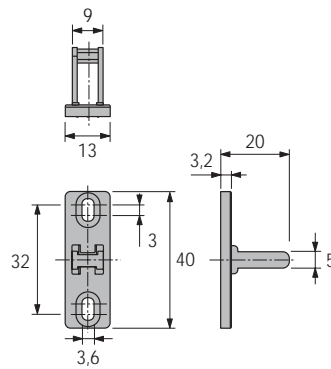
The locking mechanism can be "locked" when the furniture item is open. It is then locked automatically when closed.

For use with the hettlock controller, either plugged in directly or connected via a lead.

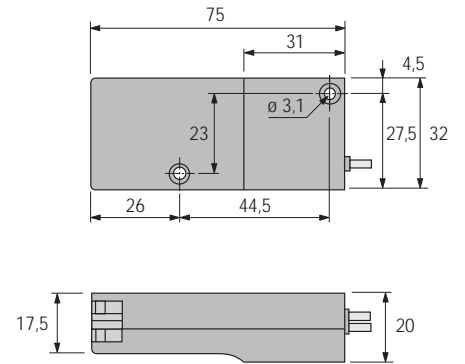
Controller and connecting lead, see page 17.



Locking hook



Latch locking mechanism

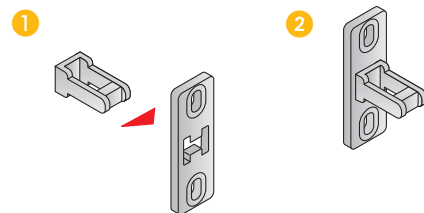


Set contains:

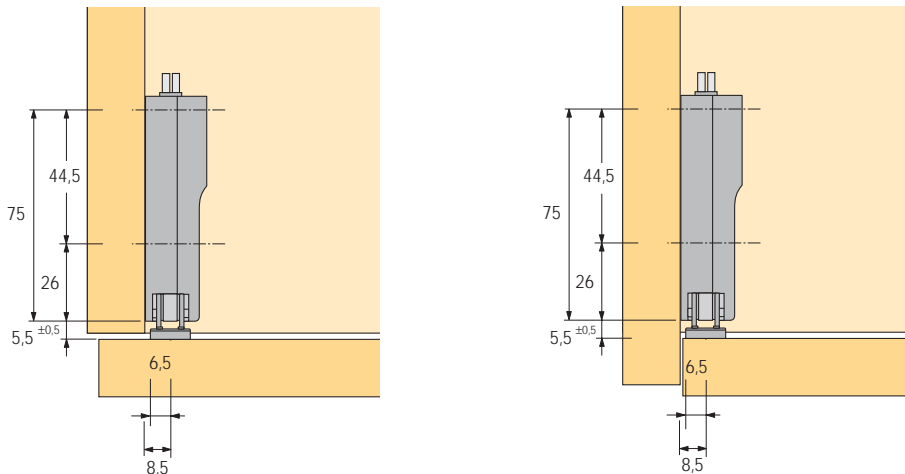
- 1 latch locking mechanism
- 1 locking hook
- Mounting hardware

Article	Finish	Order No.	PU
Latch locking mechanism set	nickel-plated	041 223	1 set

Assembly



Installation



Specification

hettlock latch locking mechanism

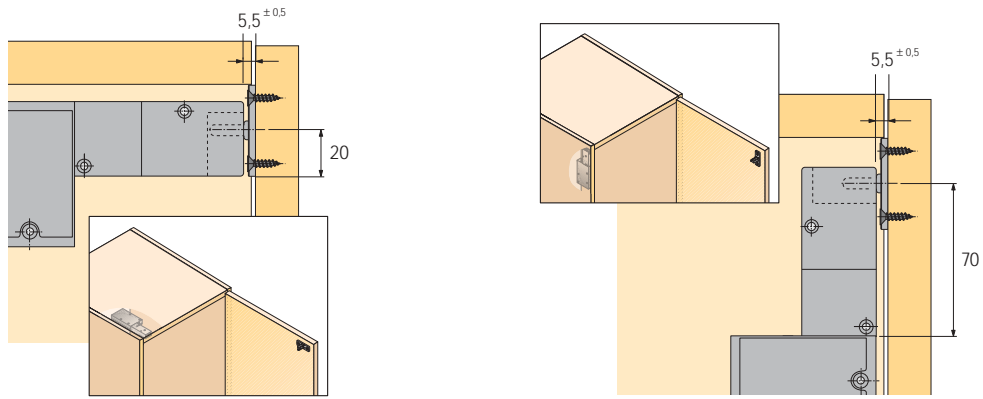
Locking mechanism with spring-loaded catch for locking

- single hinged doors
- flaps
- drawers

Automatic locking when the furniture unit is closed can be programmed optionally.

For use with controllers for the digital hettlock furniture locking system.

Installation



Possible positions

