

hettlock

Sliding door locking mechanism set

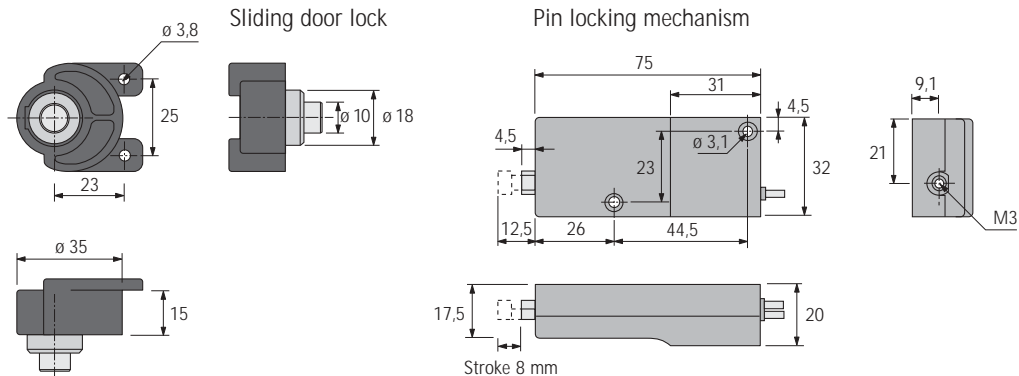
Sliding door locking mechanism set

- for locking
- sliding doors

The locking mechanism can be "locked" when the furniture item is open. It is then locked automatically when closed.

For use with the hettlock controller, either plugged in directly or connected via a lead.

Controller and connecting lead, see [page 17](#).

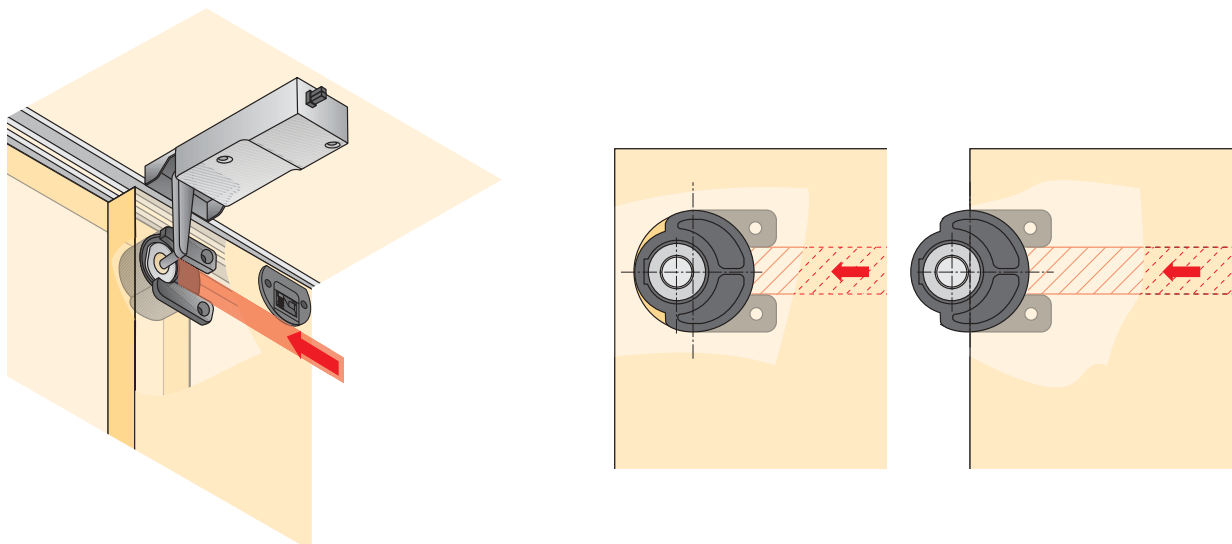


Set contains:

- 1 pin locking mechanism
- 1 sliding door lock
- 1 pin deflector
- Mounting hardware

Article	Finish	Order No.	PU
Sliding door locking mechanism set	nickel-plated	041 233	1 set

Installation



Specification
hettlock sliding door locking mechanism

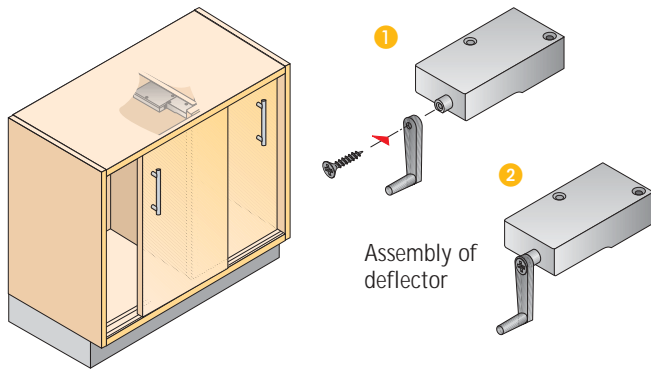
Locking mechanism with spring-loaded pin for locking

- sliding doors

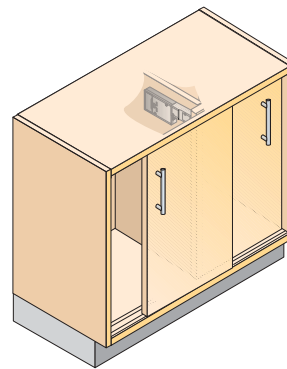
Automatic locking when the furniture unit is closed can be programmed optionally.

For use with controllers for the digital hettlock furniture locking system.

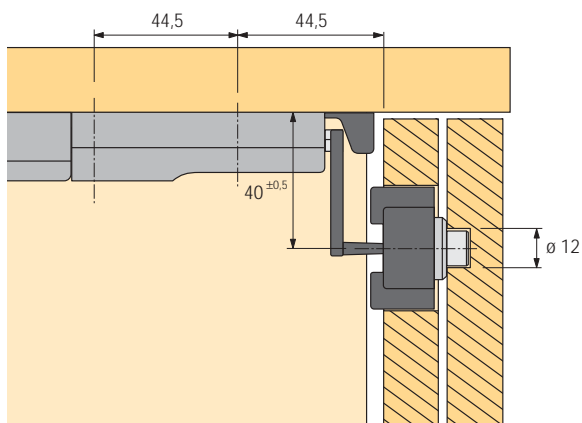
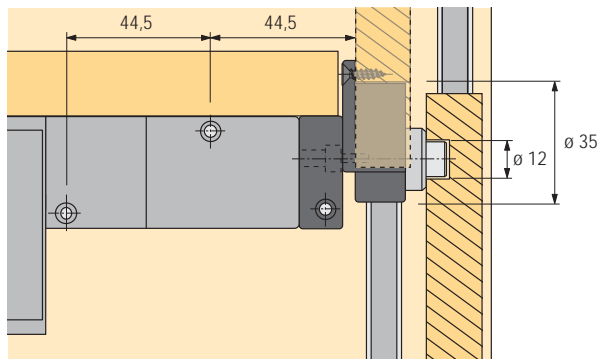
Positioned at the top



Positioned on middle panel



Installation



Installation

