

# hettlock

## Pin locking mechanism set

### Pin locking mechanism set

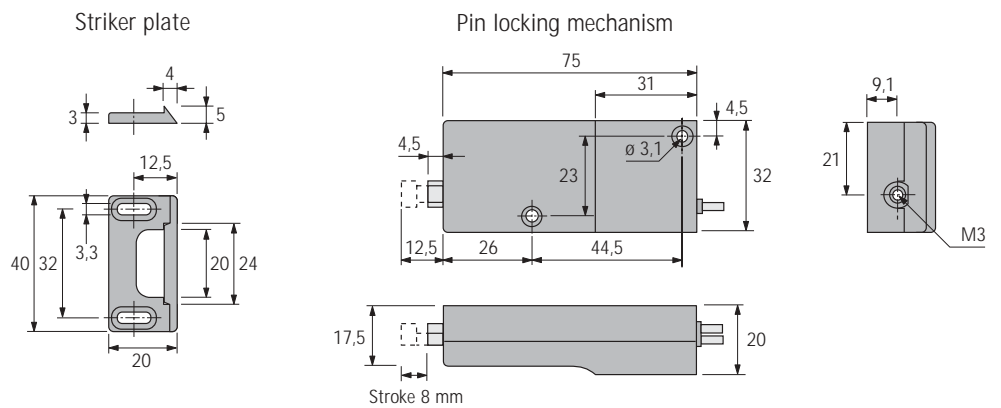
for locking

- single hinged doors
- flaps
- vertical tambour cabinet
- horizontal tambour cabinet
- folding/sliding doors
- Org@Tower
- and others

The locking mechanism can be "locked" when the furniture item is open. It is then locked automatically when closed.

For use with the hettlock controller, either plugged in directly or connected via a lead.

Controller and connecting lead, see page 17.

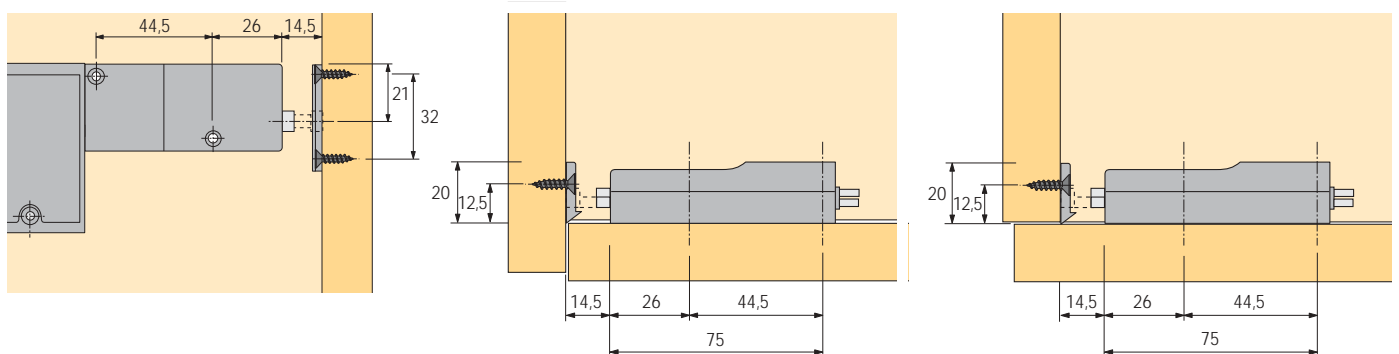


### Set contains:

- 1 pin locking mechanism
- 1 striker plate
- Mounting hardware

| Article                   | Finish        | Order No. | PU    |
|---------------------------|---------------|-----------|-------|
| Pin locking mechanism set | nickel-plated | 041 222   | 1 set |

### Installation



**Specification**

**hettlock pin locking mechanism**

Locking mechanism with spring-loaded pin for locking

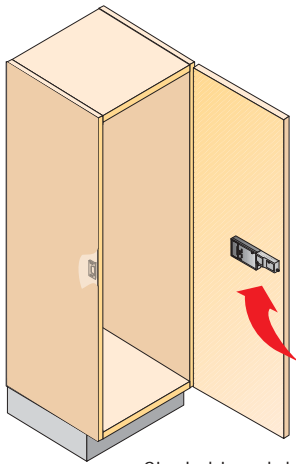
- single hinged doors
- flaps
- vertical tambour cabinet
- horizontal tambour cabinet
- folding/sliding doors
- Org@Tower

Can be fitted as left-hand, right-hand or drawer lock.

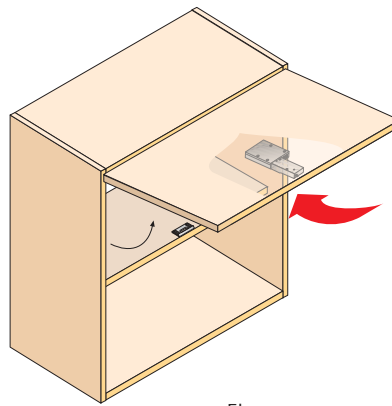
Automatic locking when the furniture unit is closed can be programmed optionally.

For use with controllers for the digital hettlock furniture locking system.

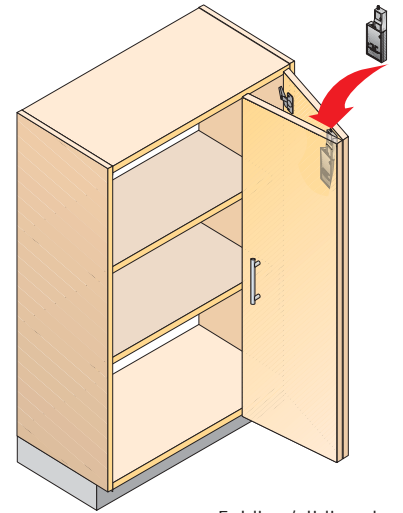
**Possible positions**



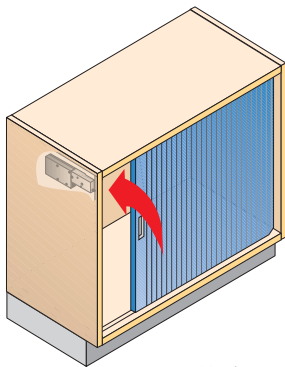
Single hinged door



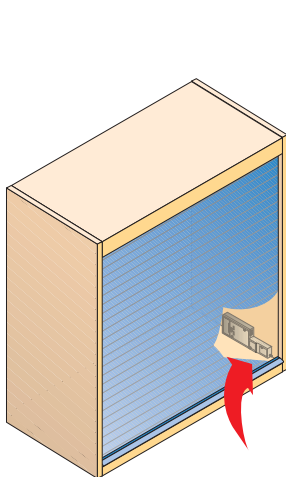
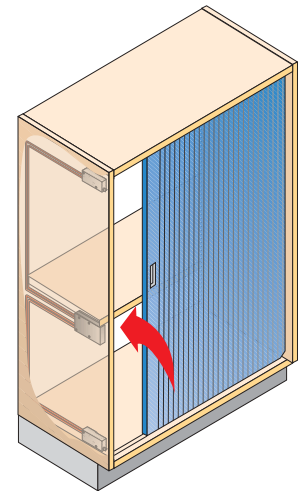
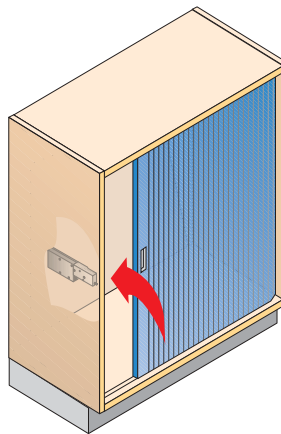
Flap



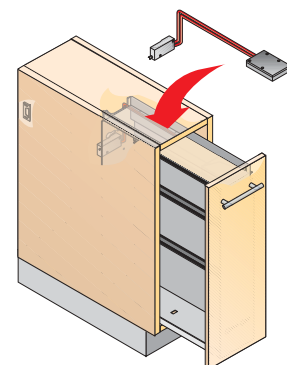
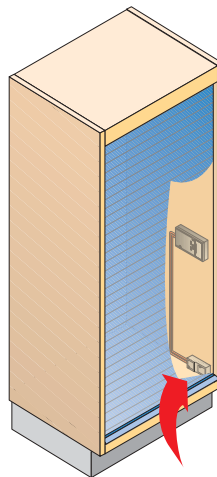
Folding/sliding door



Horizontal tambour cabinet



Vertical tambour cabinet



Org@Tower