

# SYSTEMA TOP 2000

## Pencil tray OrgEvolution

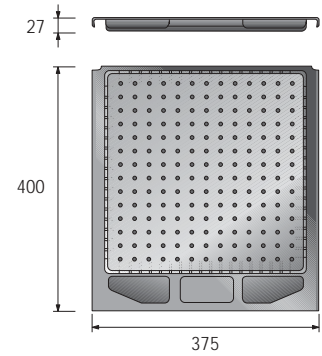


### SYSTEMA TOP 2000 OrgEvolution pencil tray

for concealed installation of the drawer guides.  
Can be individually subdivided with partitions,  
dividers and insert trays.

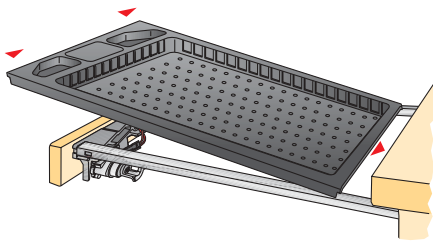
Black plastic

Lock connector, see page 26.

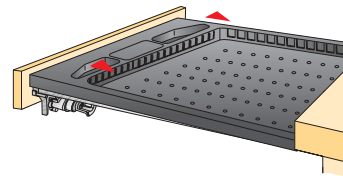


Article	Finish	Order No.	PU
OrgEvolution pencil tray	black	041 315	1

### Installation



### Removal



### Quadro 12

for OrgEvolution pencil tray

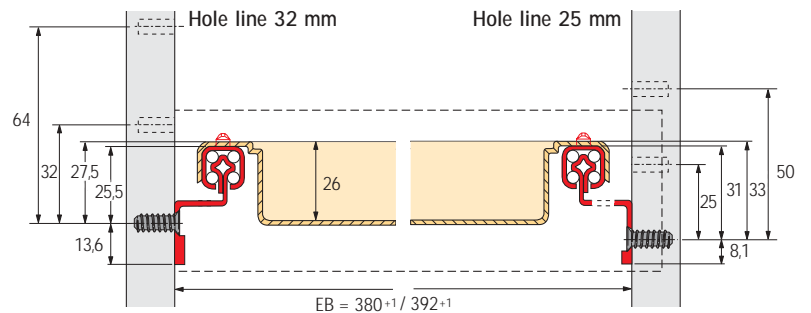
Part extension with front panel fixing  
and self-closing function

Loading capacity 120 N

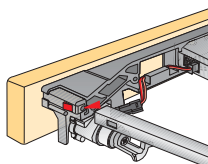
Galvanised steel



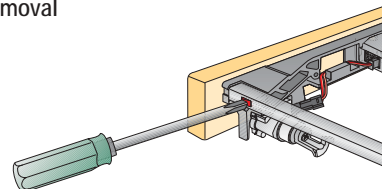
Article/ Installed width (EB) mm	Hole line pattern mm	Order No.	PU
Quadro 12 EB 380 <sup>+1</sup>	25	075 506	1 GN
Quadro 12 EB 392 <sup>+1</sup>	25	075 507	1 GN
Quadro 12 EB 380 <sup>+1</sup>	32	075 508	1 GN
Quadro 12 EB 392 <sup>+1</sup>	32	074 862	1 GN



### Installation



### Removal

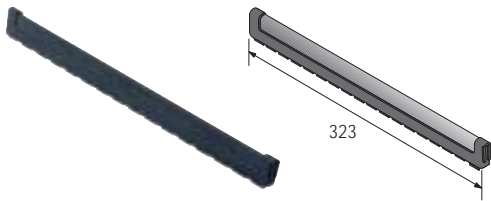


# Accessories

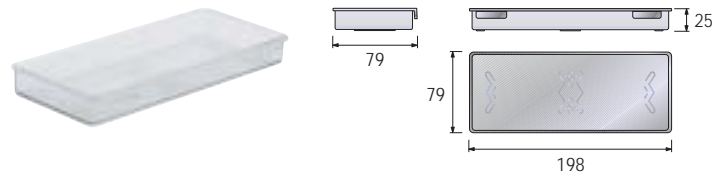
## Available dividers



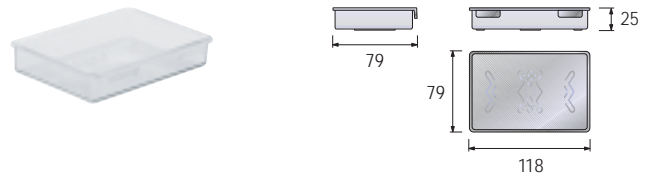
**Partition for OrgEvolution pencil tray**  
Black plastic



**Insert trays for OrgEvolution pencil tray**  
Transparent plastic  
Can also be used in Org@Tower and Org@Wall



**Dividers for OrgEvolution pencil tray**  
Transparent plastic



Article	Finish	Order No.	PU
Partition for OrgEvolution pencil tray	black	041 316	1
Dividers for OrgEvolution pencil tray	transparent	041 319	4

Article	Length x width mm	Order No.	PU
Insert trays for OrgEvolution pencil tray	118 x 79	041 317	1
	198 x 79	041 318	1

**Possibilities for partitioning the pencil tray**

