

Light, Medium and Heavy Duty Sheaves and Tracks

up to 50 lbs, 125 lbs, 200 lbs (23 kg, 57 kg, 91 kg)



Sheave and sheave tracks are intended for underneath support of single, bi-parting and by-passing sliding doors.

Sheaves and sheave tracks require less headroom, eliminating top hung hardware, and are less conspicuous than overhead sliding door hardware. The no. 14, no. 18, and no. 20 series cover a wide range of applications.

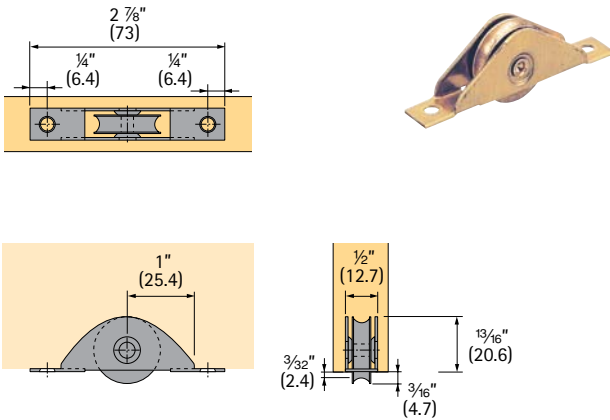
The no. 20 series is recommended for store fixtures, case goods, wardrobe, kitchen cabinets and similar light duty doors. The no. 20 series offers a choice of nylon or metal wheel with self-lubricating oilite bushings for durability, and is abrasion and heat resistant.

The no. 14 and no. 18 series are intended for medium and heavy duty residential and commercial installations. The no. 14 and no. 18 series have a self-lubricating nylon wheel for quiet and easy operation.

- Choice of wheel material
- Metal: long wearing, nick, abrasion and heat resistant
- Self-lubricating bronze oilite bushings on metal wheels; nylon is self lubricating.
- Accurate fitting of sheaves and tracks minimizes jumping.
- All sheaves and tracks are available in rust resistant materials.
- Simple installation to door and floor
- Made in USA

Sheave 20

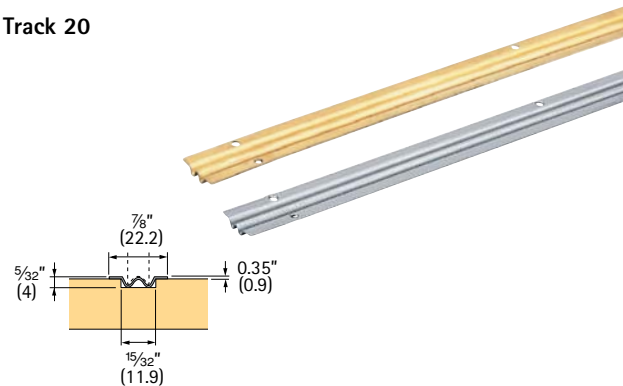
for $\frac{3}{4}$ " [19 mm] min door thickness
for 50 lbs [23 kg] doors



Finish	Order no.	PU
Wheel - brass, housing - brass	050 452	12
Wheel - nylon, housing - brass	050 453	12
Wheel - nylon, housing - steel	050 454	12
Wheel - brass, housing - steel	050 455	12

Screws included

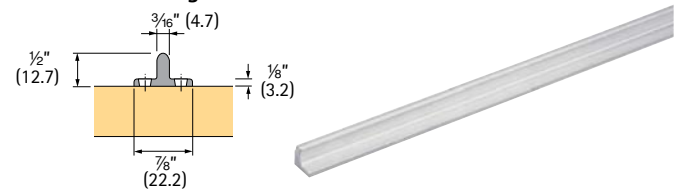
Track 20



Article	Finish	Order no.	PU
6' (1800 mm)	brass	050 433	5
8' (2400 mm)	brass	050 434	5
10' (3000 mm)	brass	050 435	5
12' (3600 mm)	brass	050 436	5
10' (3000 mm)	stainless steel	050 440	5
12' (3600 mm)	stainless steel	050 441	5
6' (1800 mm)	aluminum	050 443	5

Screws not included - recommend #2 Flat Head, pre-drilled holes

Continuous floor guide 2014



Length	Order no.	PU
6' (1800 mm)	050 448	5
8' (2400 mm)	050 449	5
10' (3000 mm)	050 450	5
12' (3600 mm)	050 451	5

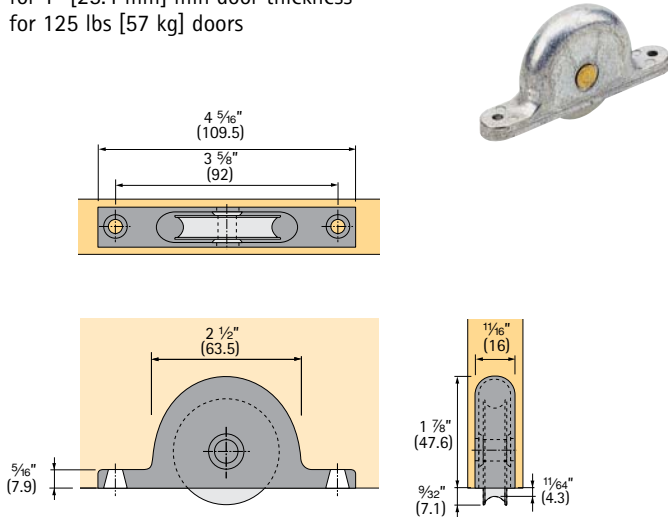
Screws not included - recommend #6 Flat Head, pre-drilled holes

Light, Medium and Heavy Duty Sheaves and Tracks

up to 50 lbs, 125 lbs, 200 lbs (23 kg, 57 kg, 91 kg)

Sheave 18

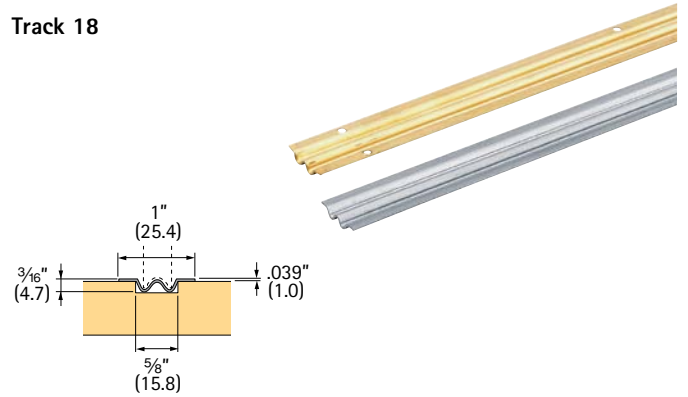
for 1" [25.4 mm] min door thickness
for 125 lbs [57 kg] doors



Article	Order no.	PU
Wheel - nylon, housing - zamac	050 432	12

Screws included

Track 18

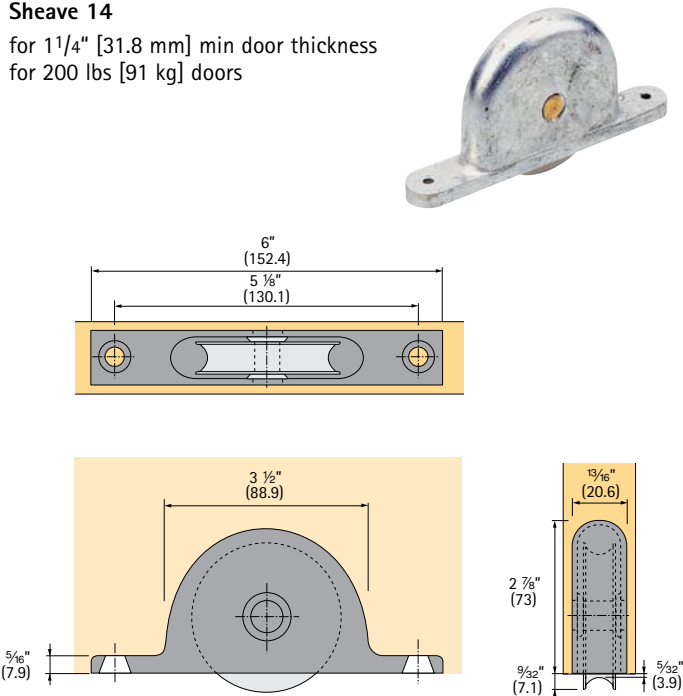


Article	Finish	Order no.	PU
6' (1800 mm)	brass	050 424	5
8' (2400 mm)	brass	050 425	5
12' (3600 mm)	brass	050 427	5
6' (1800 mm)	stainless steel	050 428	5
8' (2400 mm)	stainless steel	050 429	5
10' (3000 mm)	stainless steel	050 430	5
12' (3600 mm)	stainless steel	050 431	5

Screws not included - recommend #2 Flat Head, pre-drilled holes

Sheave 14

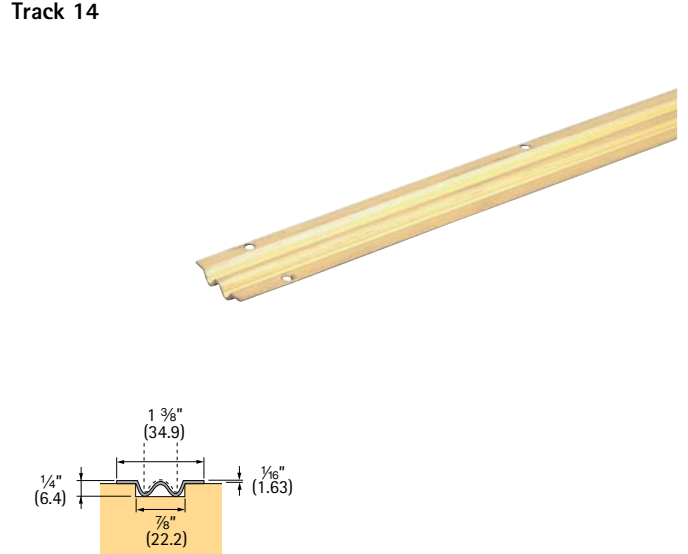
for 1 1/4" [31.8 mm] min door thickness
for 200 lbs [91 kg] doors



Article	Order no.	PU
Wheel - nylon, housing - zamac	050 179	12

Screws included

Track 14



Length	Finish	Order no.	PU
6' (1800 mm)	bronze	050 175	5
8' (2400 mm)	bronze	050 176	5
10' (3000 mm)	bronze	050 177	5
12' (3600 mm)	bronze	050 178	5

Screws not included - recommend #4 Flat Head, pre-drilled holes